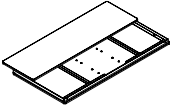

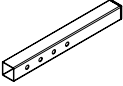
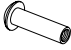

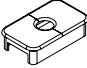



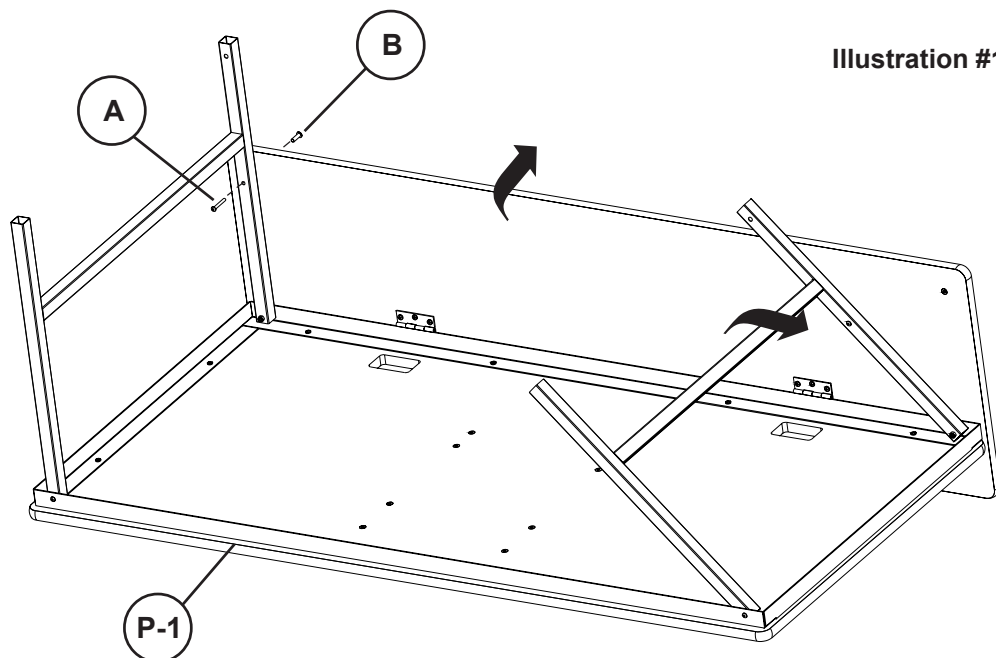
TT-1, TT-2, TT-3, TT-4, TT-5

Assembly Instructions

Parts List				Hardware List			
Part	Drawing	Description	Qty	Part	Drawing	Description	Qty
P-1		Table Assembly	1 EA	A		Long Screw	2 EA
P-2		Leg Insert w/Endcap	4 EA	B		Interior Threaded Post	2 EA
*Note: TT-1 & TT-2 are shipped with 2 Plastic Cable Grommets. TT-3 & TT-4 are shipped with 1 Plastic Cable Grommet, and TT-5 is shipped with 3 Plastic Cable Grommets.				C		Flat Head Screw	4 EA
Tools required: Phillips Head Screw Driver				D		Plastic Cable Grommet	*
				E		Allen Wrench	1 EA

READ THROUGH INSTRUCTIONS FROM BEGINNING TO END BEFORE STARTING TO ASSEMBLE UNIT.

1. Identify and separate all parts and hardware.
2. Position Table Assembly (P1) on a flat surface with top side down.
3. Pivot Table Assembly (P1) rear panel and legs out as shown in Illustration #1.
4. Using 2 Long Screws (A), and 2 Interior Threaded Post (B), attach Table Assembly legs to panel as shown in Illustration #1.



Do not use unless all screws are tight. At least every six months, check all screws to be sure they are tight. If parts are missing, broken, damaged, or worn, stop use of the product until repairs are made by your dealer using factory authorized parts.

**Should you require assistance during assembly,
please call our Customer Service Department
Monday - Friday 8 a.m. - 5 p.m.
Central Standard Time**

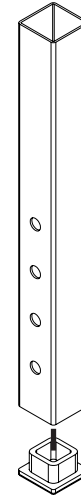
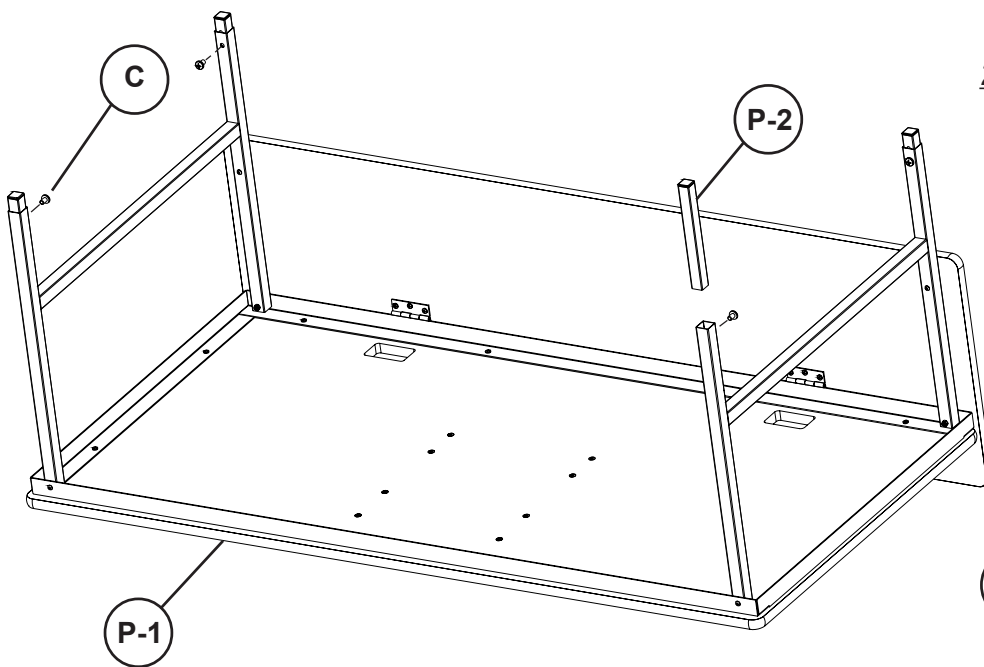
**Toll-Free Customer Service
1-800-749-2258**

TT Series Training Table Assembly Diagram

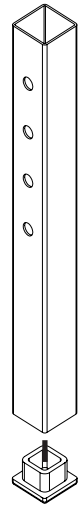


Note: Plastic Endcaps are pre-installed in the Leg Inserts in the end opposite the holes. If you desire the shorter heights you should carefully remove Plastic Endcaps with a Screwdriver and tap them in the other end of the insert using a rubber mallet.

Illustration #2

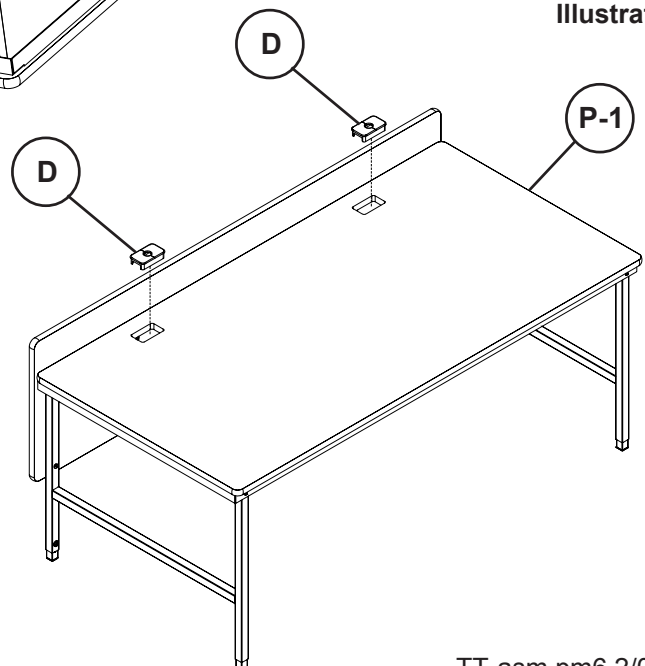


23-26" Height



26-29" Height

Illustration #3



5. Insert 4 each Leg Inserts (P-2) into the 2 each Leg Assemblies as shown in Illustration #2. Secure Leg Inserts using 4 each (C) Screws.

6. Position Table Assembly (P1) upright and insert Plastic Cable Grommet(s) (D) into cable grommet hole(s) as shown in Illustration #3.