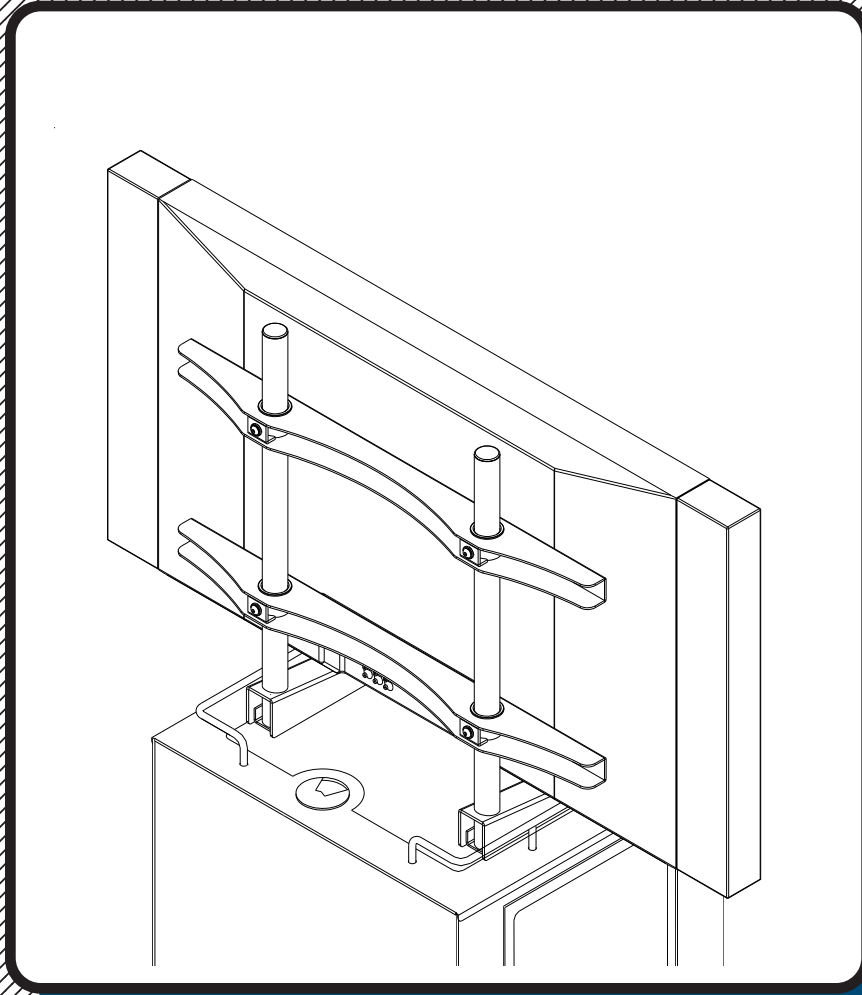




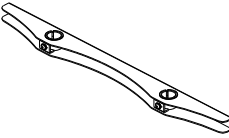





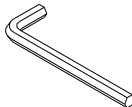





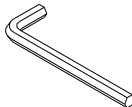





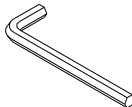
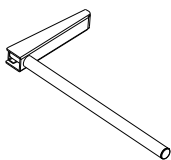
#66575 TV Mount Boss Cart



Assembly Instructions

#66575 Optional TV Mount - Boss Cart



Part	Drawing	Description	Qty	Part	Drawing	Description	Qty																								
P-1		TV Bracket	2 EA	<div style="border: 2px solid black; border-radius: 15px; padding: 10px;"> <p style="text-align: center;">Hardware List</p> <table border="0"> <tr> <td>A</td> <td></td> <td>M6X40mm Socket Screw</td> <td>4 EA</td> </tr> <tr> <td>A1</td> <td></td> <td>M8X25mm Socket Screw</td> <td>4 EA</td> </tr> <tr> <td>B</td> <td></td> <td>Washer M6-1.5</td> <td>4 EA</td> </tr> <tr> <td>B1</td> <td></td> <td>Washer M8-1.5</td> <td>4 EA</td> </tr> <tr> <td>C</td> <td></td> <td>Allen Wrench M4</td> <td>1 EA</td> </tr> <tr> <td>D</td> <td></td> <td>Allen Wrench M6</td> <td>1 EA</td> </tr> </table> </div>				A		M6X40mm Socket Screw	4 EA	A1		M8X25mm Socket Screw	4 EA	B		Washer M6-1.5	4 EA	B1		Washer M8-1.5	4 EA	C		Allen Wrench M4	1 EA	D		Allen Wrench M6	1 EA
A		M6X40mm Socket Screw	4 EA																												
A1		M8X25mm Socket Screw	4 EA																												
B		Washer M6-1.5	4 EA																												
B1		Washer M8-1.5	4 EA																												
C		Allen Wrench M4	1 EA																												
D		Allen Wrench M6	1 EA																												
P-2		Metal Column	2 EA																												

READ THROUGH INSTRUCTIONS FROM BEGINNING TO END BEFORE STARTING TO ASSEMBLE UNIT.

1.) Identify and Separate all the Parts and Hardware.

Should you require assistance during assembly, please call our Customer Service Department Monday - Friday 8 a.m. - 5 p.m. Central Standard Time 1-800-749-2258

Missing Parts or UPS Damaged Parts
 For Your Convenience you can EMAIL us at
furniture@baltinc.com
 24HOURS 7 DAYS A WEEK

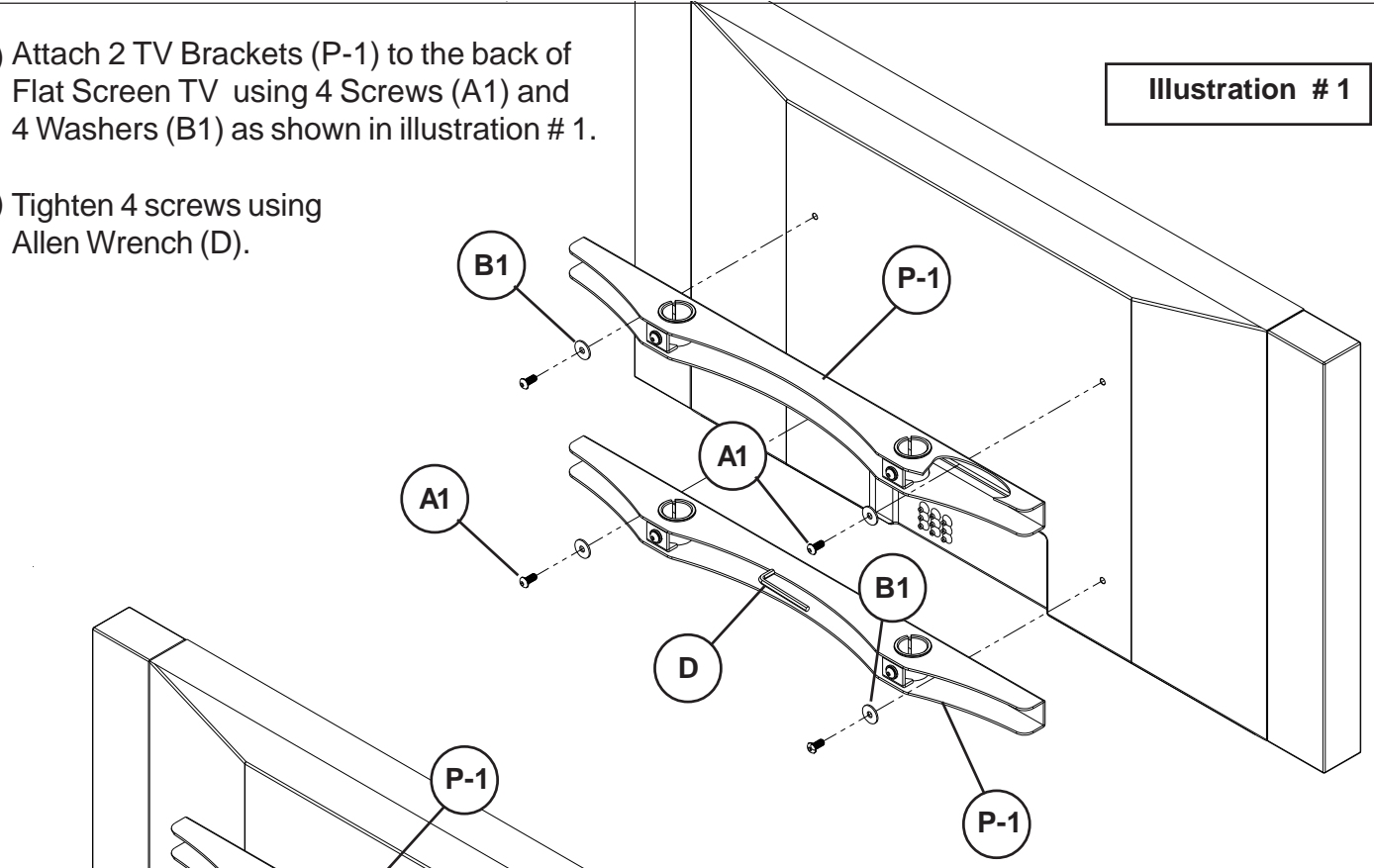
Do not use unless all screws are tight. At least every six months, check all screws to be sure they are tight. If parts are missing, broken, damaged, or worn, stop use of the product until repairs are made by your dealer using factory authorized parts.

#66575 Optional TV Mount - Boss Cart

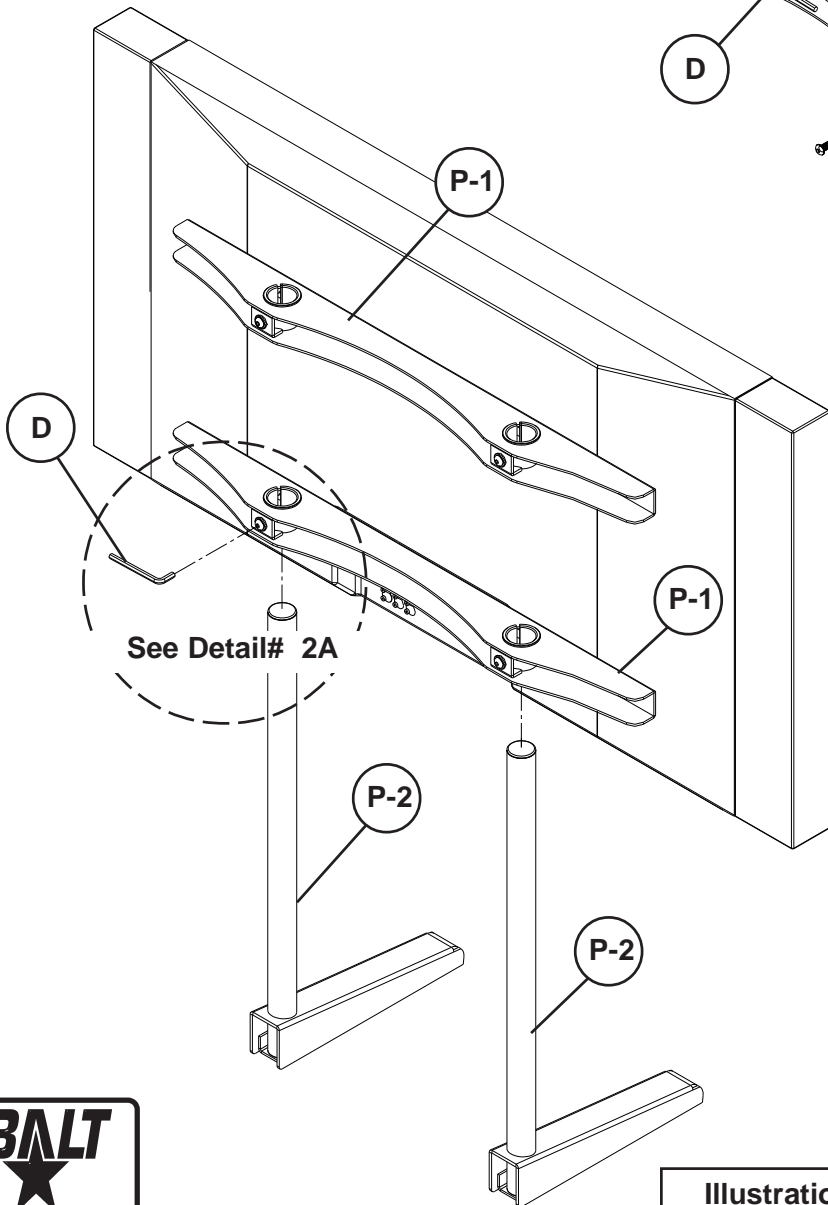
2.) Attach 2 TV Brackets (P-1) to the back of Flat Screen TV using 4 Screws (A1) and 4 Washers (B1) as shown in illustration # 1.

3.) Tighten 4 screws using Allen Wrench (D).

Illustration # 1



4.) Loosen Clamping Screws in the 2 TV Brackets (P-1) and Insert 2 Metal Columns (P-2) as shown in illustration # 2. Tighten Clamping Screws at desired height using Allen Wrench (D).



Clamping Screw

Detail# 2A

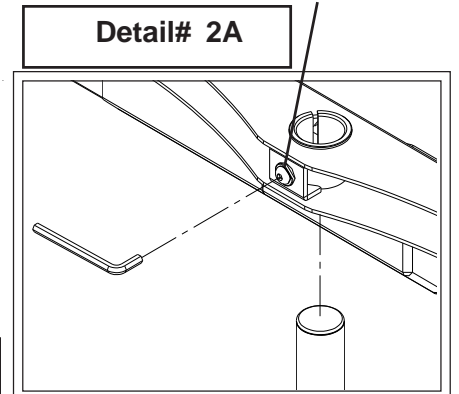
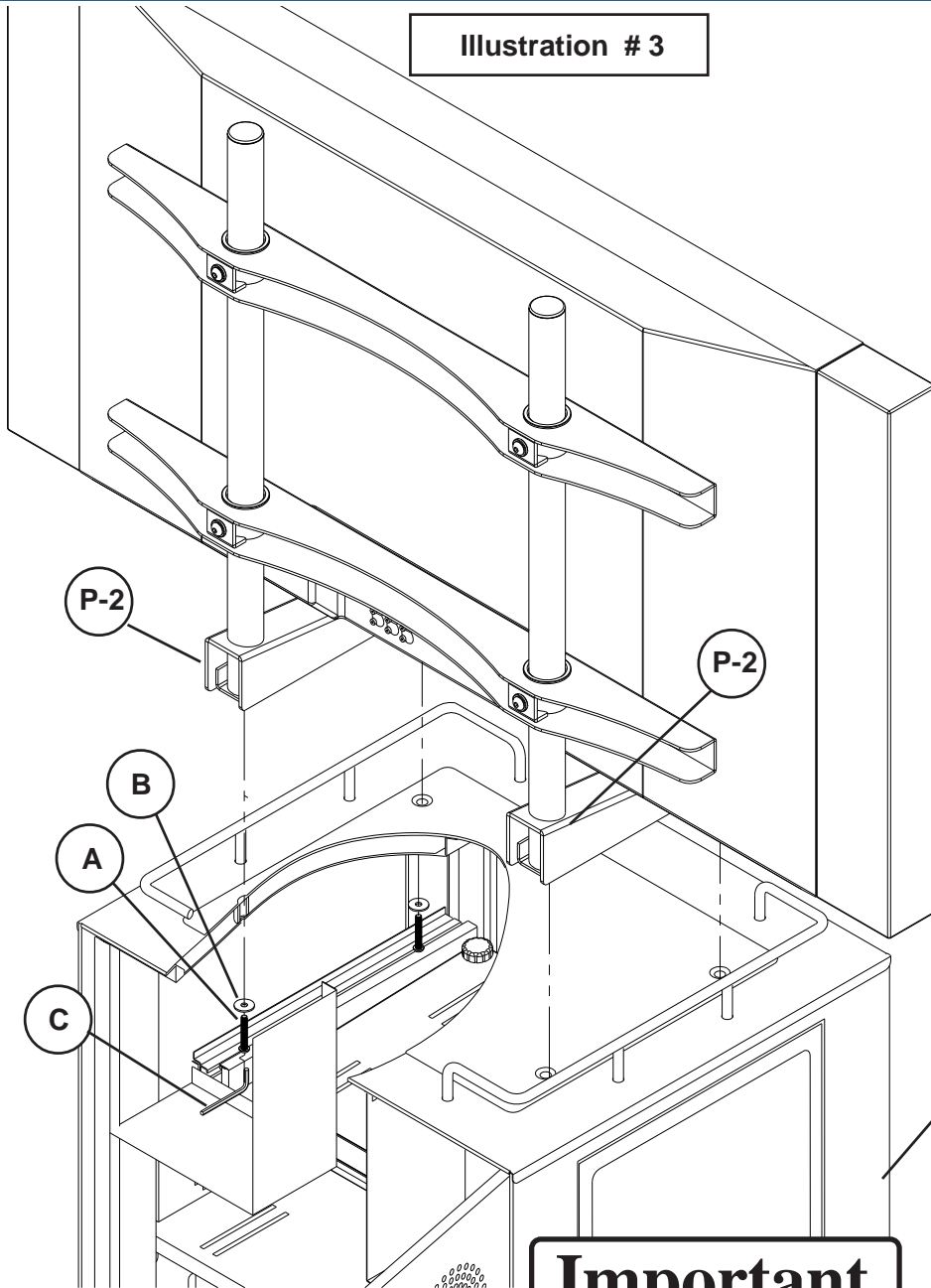


Illustration # 2



#66575 Optional TV Mount for Boss Cart

Illustration # 3



5.) Attach 2 Metal Columns (P-2) to the Top of the Boss Cart using 4 Screws (A) and 4 Washers (B) as shown in illustration # 3.

6.) Tighten 4 screws using Allen Wrench (C).

Boss Cart

Important

The Balt product you have purchased is guaranteed against material and workmanship defects. This guarantee extends 1 year from date of purchase. Should this product fail to function satisfactorily under normal use due to defect or imperfection, the defective part or product will be replaced. Damage caused by common carriers during shipment is not included in this guarantee.

This guarantee sets forth all applicable guarantees and remedies. No other warranty, expressed or implied shall apply. Failure to follow instructions found in Important Information Section of Owner Sheet shall void the guarantee. Consequential or incidental damages and or costs are not refundable.