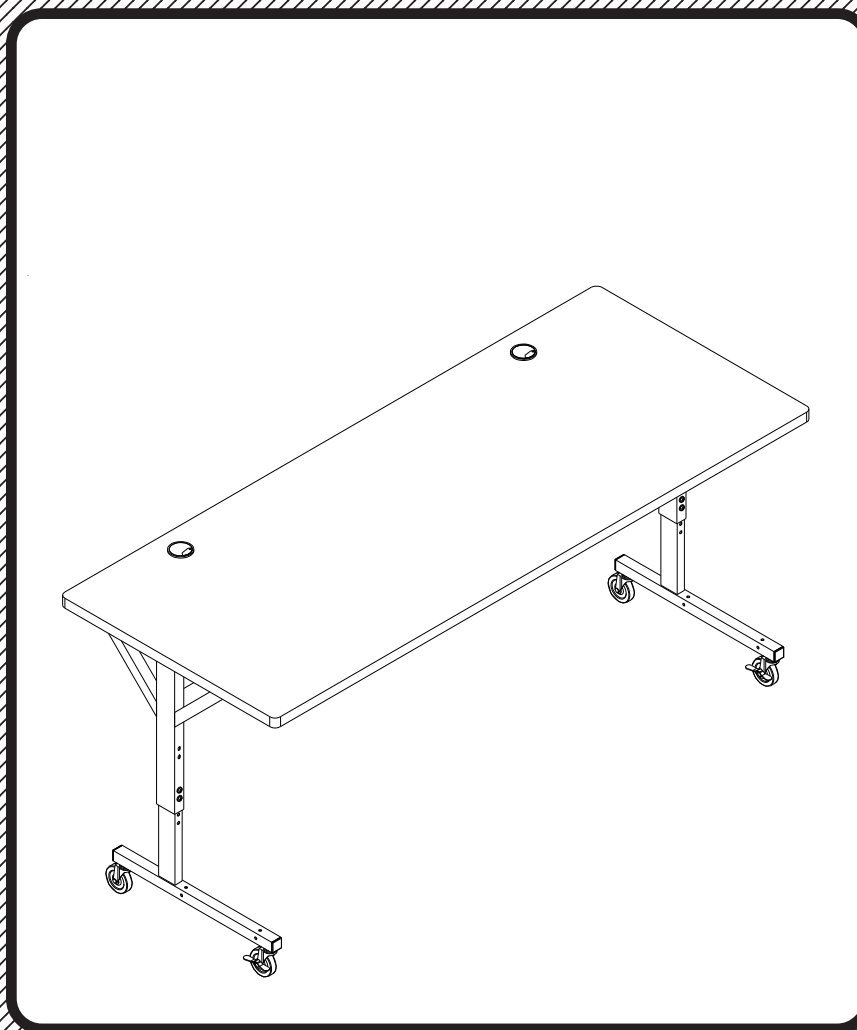




#89862 Brawny 72X30

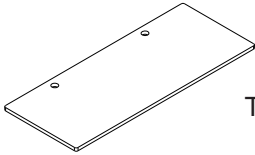
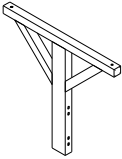

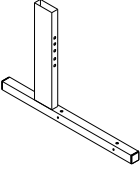
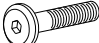
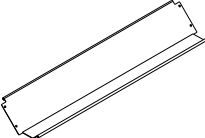

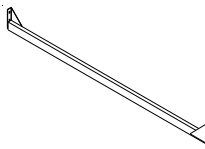





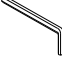

Adjustable Height Table



Assembly Instructions

Brawny 72X30

Adjustable Height Table

Part	Drawing	Description	Qty	Part	Drawing	Description	Qty
P1		Top Platform	1 EA	Hardware List			
P2		Upper Leg Receiver	2 EA	A		Socket Screw M6X15mm	4 EA
P3		Lower Leg Insert	2 EA	A1		Socket Screw M6x40mm	8 EA
P4		Stability Panel	1 EA	A2		Socket Screw M6X8mm	4 EA
P5		Crossbrace	1 EA	B		Hex Nut 6mm	4 EA
				C		Leveling Glide	4 EA
				D		3" Locking Caster (for front)	2 EA
				E		3" Caster (for Back)	2 EA
				F		Plastic Grommet	2 EA
				G		Allen Wrench	1 EA
				H		Caster Wrench	1 EA

We recommend that you assemble this unit on a table.

Missing Parts or UPS Damaged Parts

For Your Convenience you can
EMAIL us at
furniture@baltinc.com
24HOURS 7 DAYS A WEEK

***Should you require assistance during assembly,
please call our Customer Service Department
Monday - Friday 8 a.m. - 5 p.m.
Central Standard Time 1-800-749-2258***

Do not use unless all screws are tight. At least every six months, check all screws to be sure they are tight. If parts are missing, broken, damaged, or worn, stop use of the product until repairs are made by your dealer using factory authorized parts.

#89862 Brawny 72X30 Assembly Diagram



READ THROUGH INSTRUCTIONS FROM BEGINNING TO END BEFORE STARTING TO ASSEMBLE UNIT.

- 1.) Identify and Separate all the Parts and Hardware
- 2.) Attach Crossbrace (P5) to the 2 Upper Receivers (P2) using 4 Screws (A1) and 4 Hex nuts (B) as shown in illustration #1.
(Finger tighten only)

- 3.) Place the Top Platform (P1) with the insert nuts facing up. Attach 2 Upper Receivers (P2) to the Top Platform (P-1) using 4 Screws (A1) as shown in illustration #2.
(Finger tighten only)

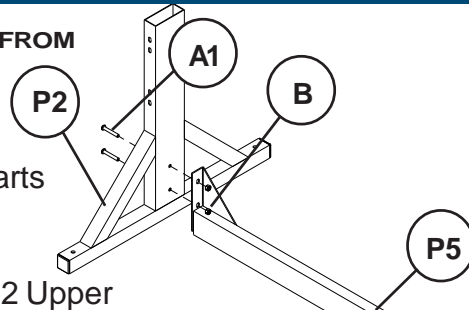


Illustration # 1

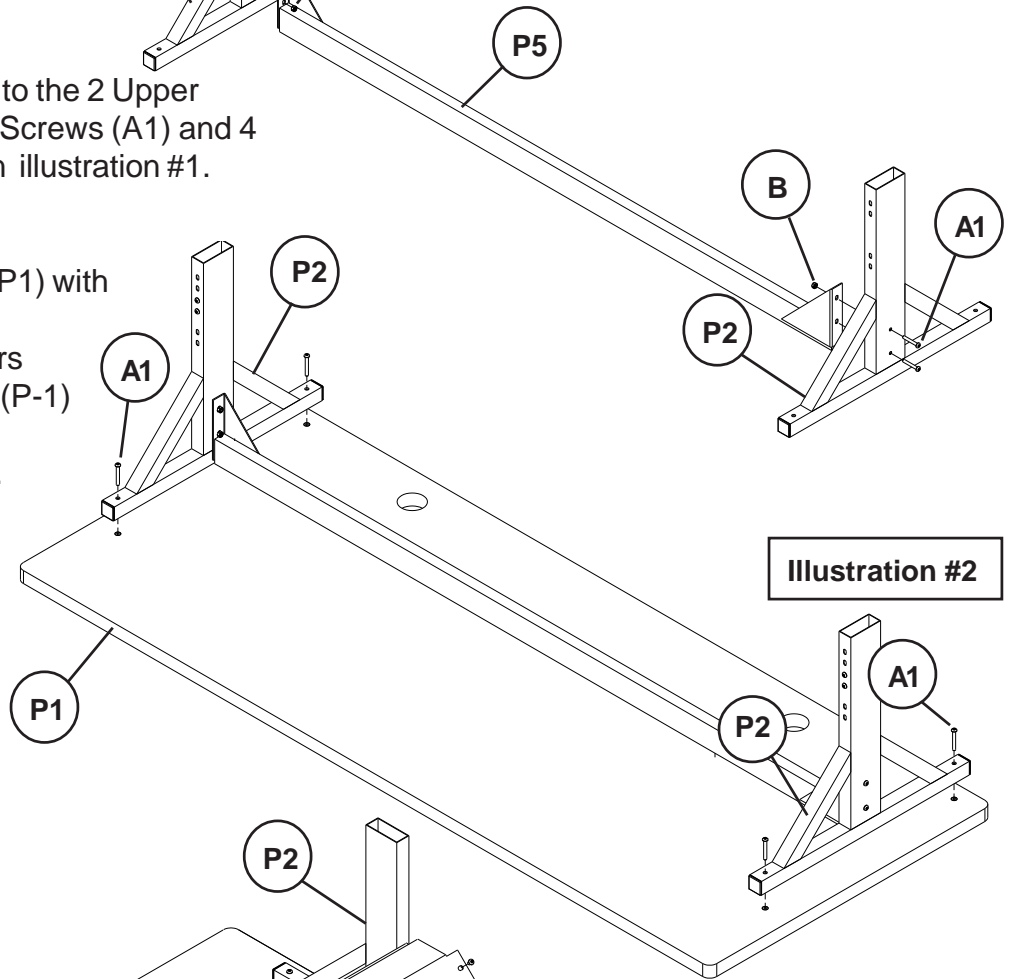


Illustration #2

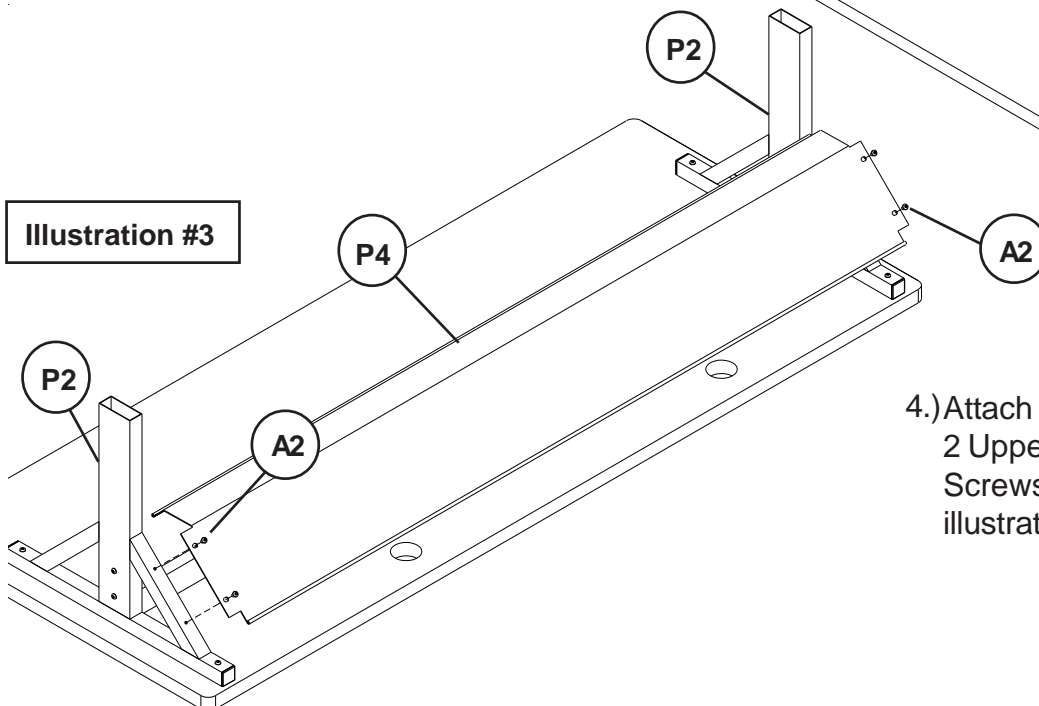


Illustration #3

- 4.) Attach Stability Panel (P4) to the 2 Upper Receivers (P2) using 4 Screws (A2) as shown in illustration #3.

Illustration #4

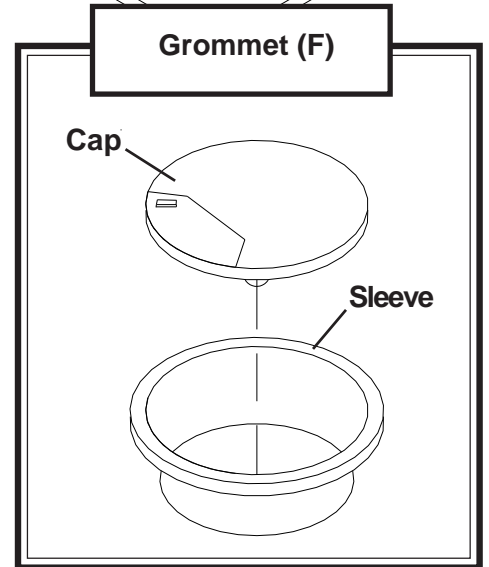
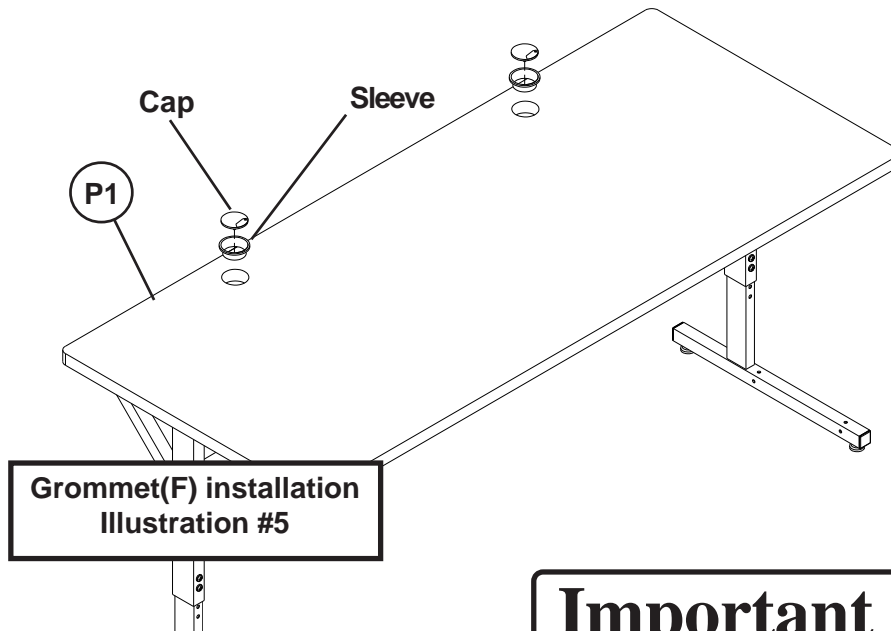
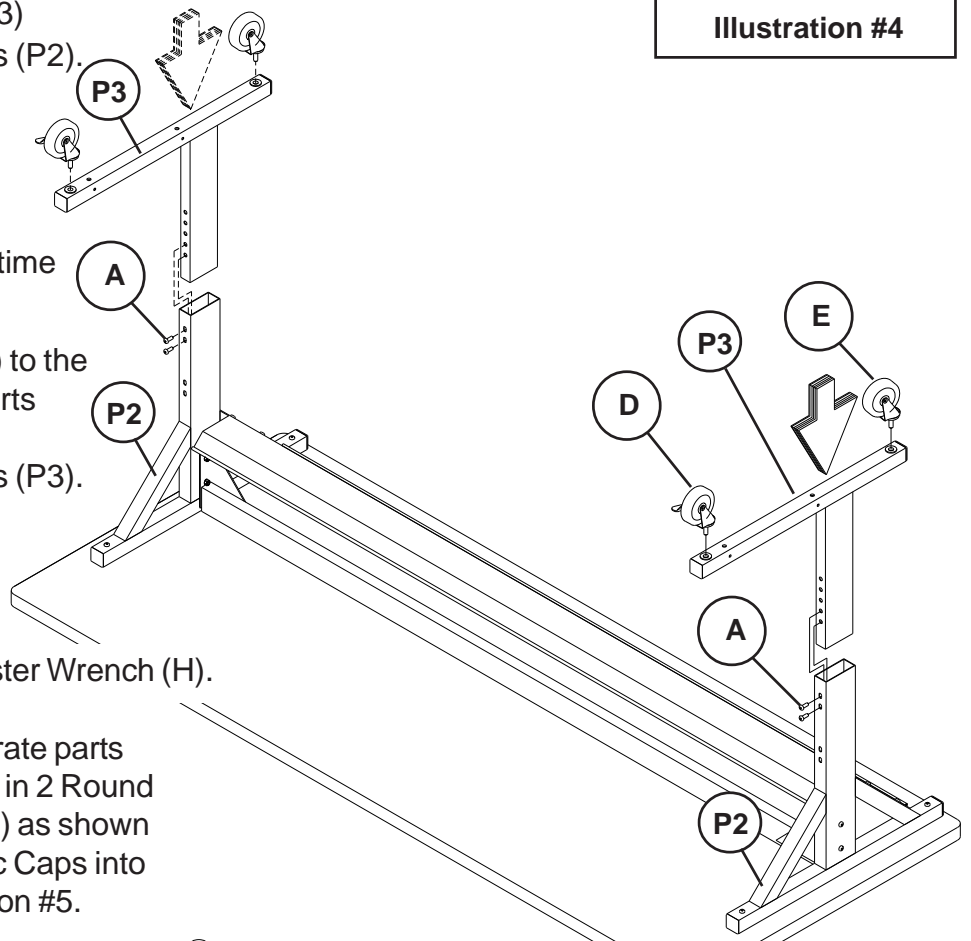
5.) Slide 2 Lower Leg Inserts (P3) into the Upper Leg Receivers (P2). Secure at desired height using 4 Screws (A) as shown in illustration #4.

6.) Tighten all the screws at this time using Allen Wrench (G).

7.) Attach 2 Locking Casters (D) to the front of the 2 Lower Leg Inserts (P3) and 2 Casters (E) to the back of the Lower Leg Inserts (P3). (Use 4 each (C) Leveling Glides in place of Casters for stationary use.)

8.) Tighten all Casters using Caster Wrench (H).

9.) To install Grommet (F), separate parts and press Grommet Sleeves in 2 Round openings in Top Platform (P1) as shown in illustration #5. Snap plastic Caps into Sleeves as shown in illustration #5.



Important

The Balt product you have purchased is guaranteed against material and workmanship defects. This guarantee extends 1 year from date of purchase. Should this product fail to function satisfactorily under normal use due to defect or imperfection, the defective part or product will be replaced. Damage caused by common carriers during shipment is not included in this guarantee.

This guarantee sets forth all applicable guarantees and remedies. No other warranty, expressed or implied shall apply. Failure to follow instructions found in Important Information Section of Owner Sheet shall void the guarantee. Consequential or incidental damages and or costs are not refundable.