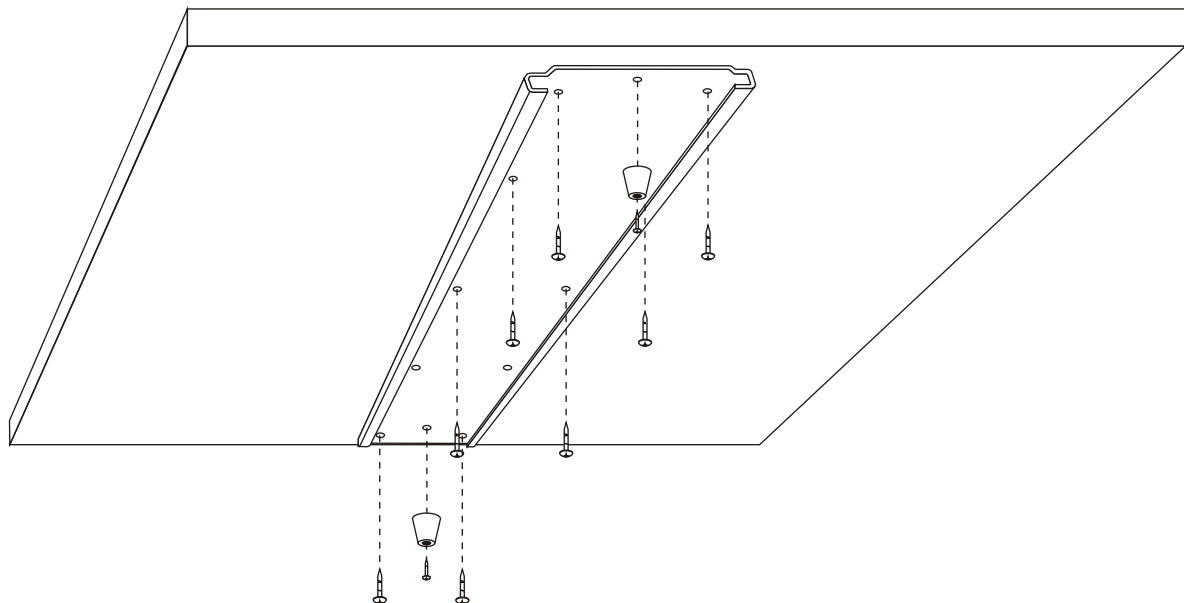
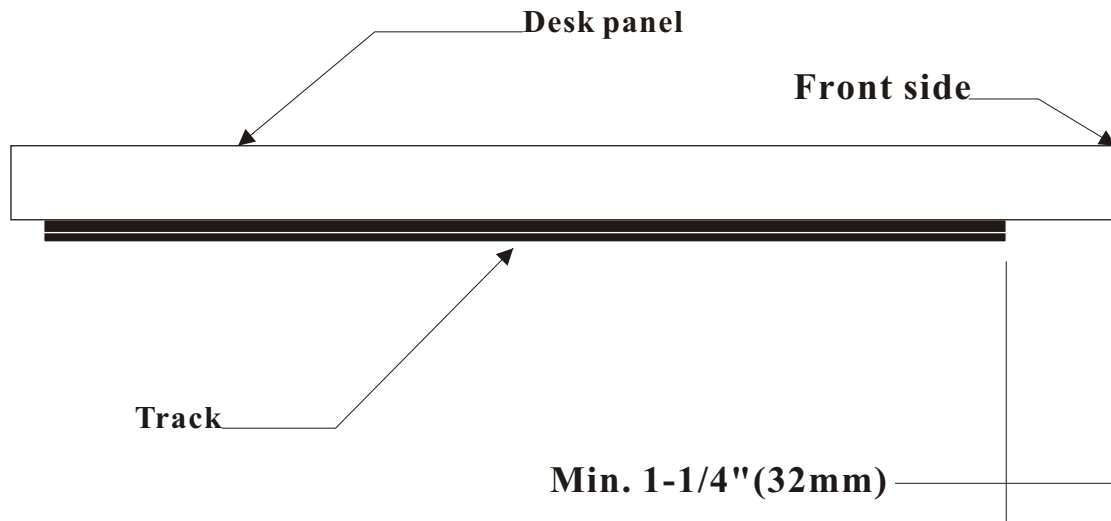
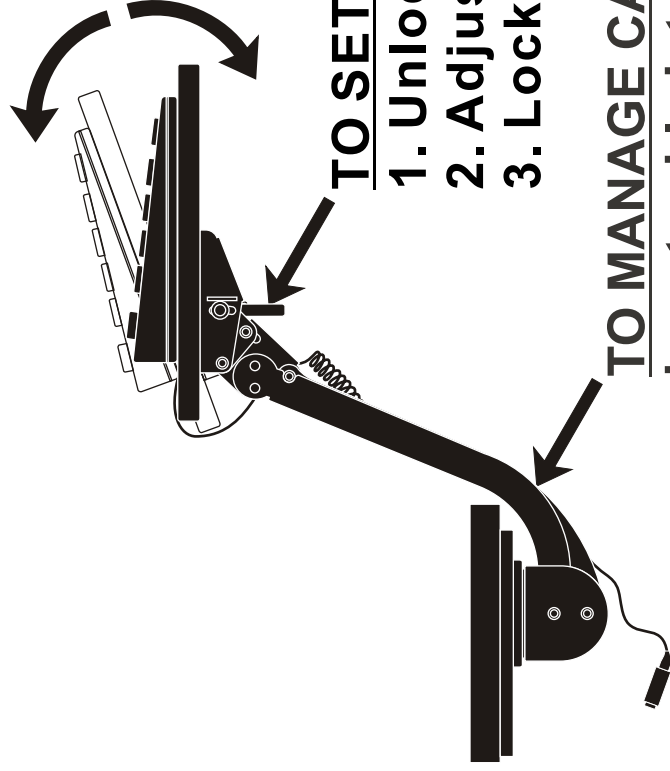


# SIT & STAND KEYBOARD ARM TRACK INSTALLATION GUIDE



**TO RAISE or TO LOWER**

1. Grasp sides of platform and tip it up to unlock.
2. Move to desired height.
3. Press down platform to lock.



**TO SET TILT:**

1. Unlock quick release.
2. Adjust tilt angle.
3. Lock quick release.

**TO MANAGE CABLE:**

insert cable into the arm housing