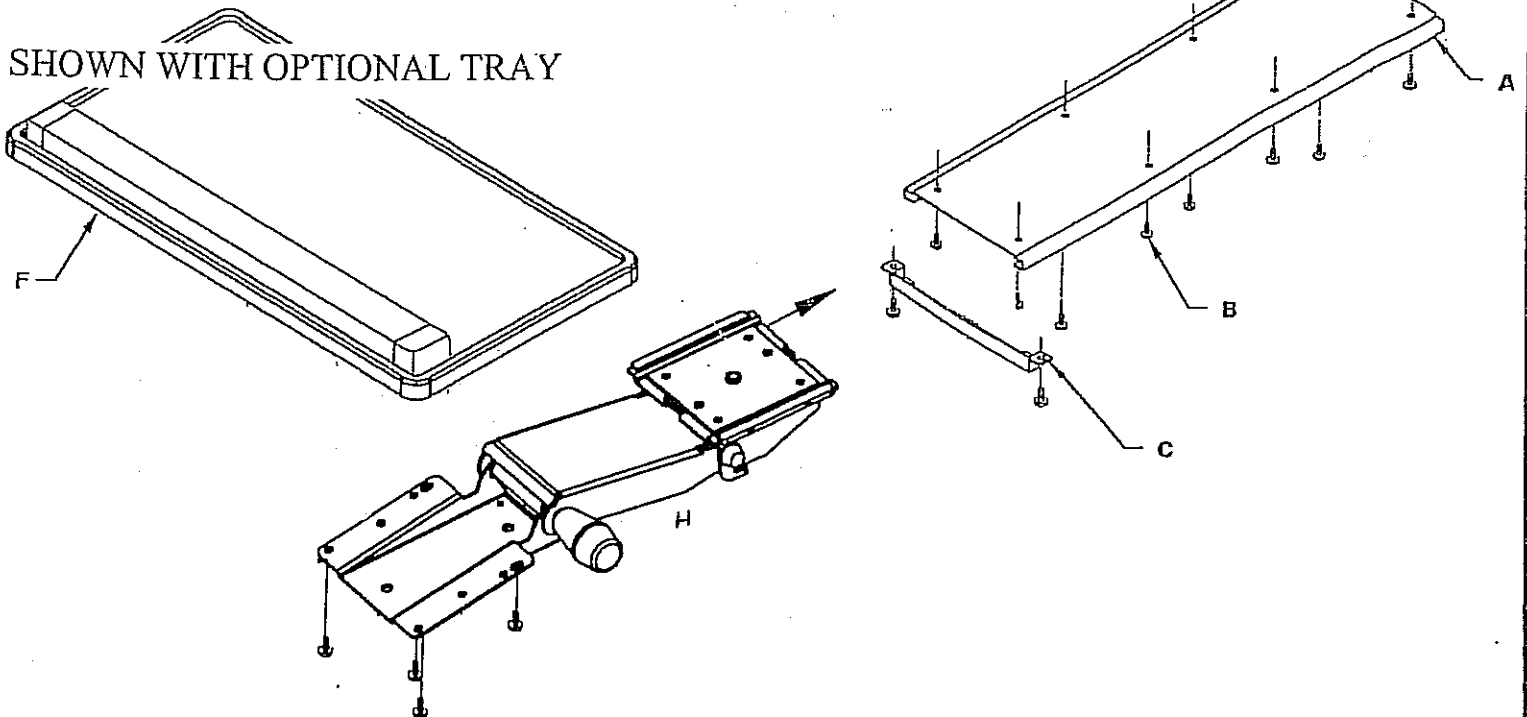


ASSEMBLY INSTRUCTIONS SHOWN WITH OPTIONAL TRAY

PARTS LIST			
LETTER CODE	DESCRIPTION	QTY.	PART NO.
(A)	Track	1	
(B)	Screw, 5/8" Self-Tapping	12	14730
(C)	Track Guard with Bumper	1	
(D)	Machine Screws 10-32 x 1/2"	4	14220
(F)	Keyboard Tray w/wristrest	1	P01S/50000
(G)	Cord Restraint	1	
(H)	Mechanism	1	



- 1 Mount (A) Track to the underside of work surface as follows:
 - a) Make sure track is mounted square to front edge of surface.
 - b) Front edge of track should be approximately 1/2" back from front of work surface.
 - c) Drill 1/8" pilot holes about 1/2" deep at each of the track holes, taking care NOT to drill through the other side of the work surface.
 - d) Install eight (B) Screws along both sides of track (four per side), and tighten.

- 2 Mount the (H) Mechanism to the (F) Keyboard Tray with four (D) Screws into the threaded inserts on the underside of the Tray.

- 3 Slide the mechanism into the grooves of the track until the mechanism hits the back bumper stop.

- 4 Place the (C) Track Guard over the front end of the track

- 5 Adjust the Mechanism as follows:
 - a) Lift the Keyboard Tray slightly to push in or pull out.
 - b) Lift and press down or pull up to adjust the height; release to lock in place.
 - c) Loosen the tilt knob on the right side of the Mechanism, position the Keyboard Tray at the desired angle, and retighten the knob.
 - d) The Mechanism will also swivel to the left or right with a moderate push to the side.