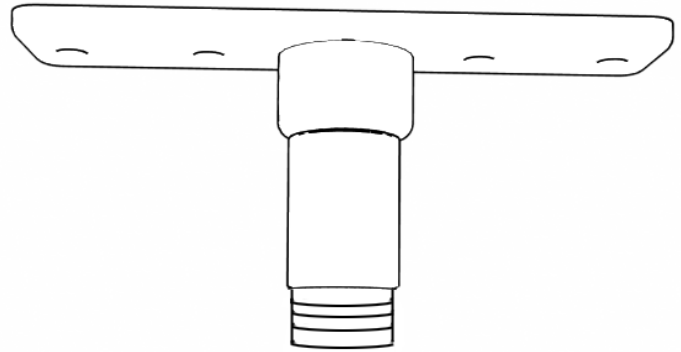
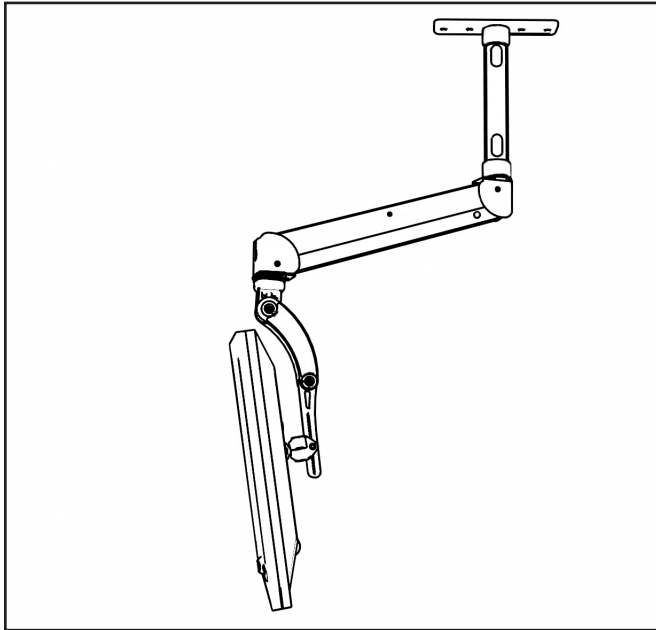


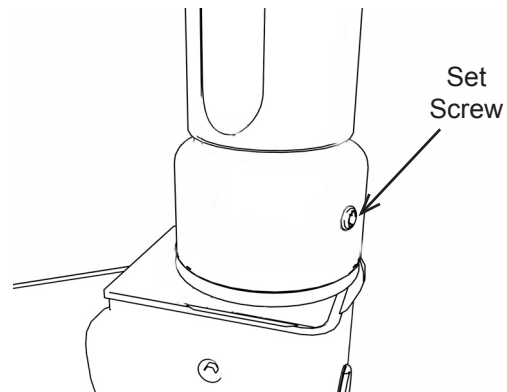


Elite Single Arm Ceiling Mount

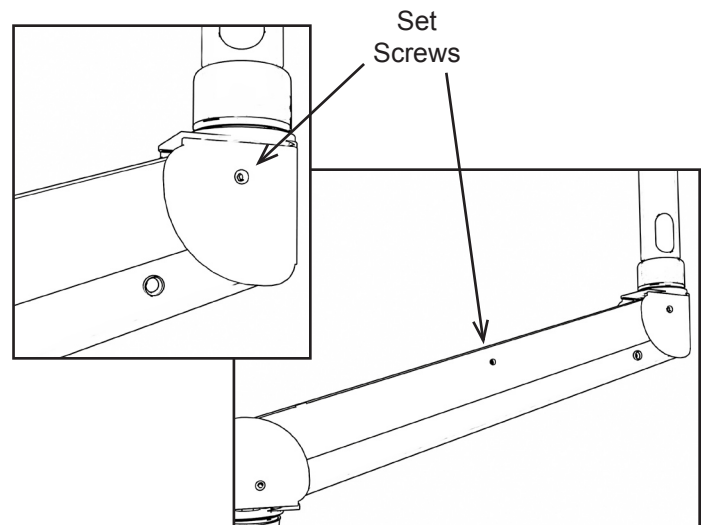


1 Remove the ceiling mount from the box, and find the 4 #14 wood screws in your hardware bag. Firmly secure the ceiling mount to a solid stud in the ceiling using all 4 of the provided screws, being sure the mount is level.

2 Loosen set screw and thread arm onto ceiling mount, tighten set screw.



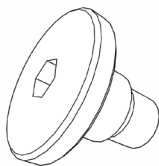
3 Find the screws in the end covers and the long cover.



DANGER!

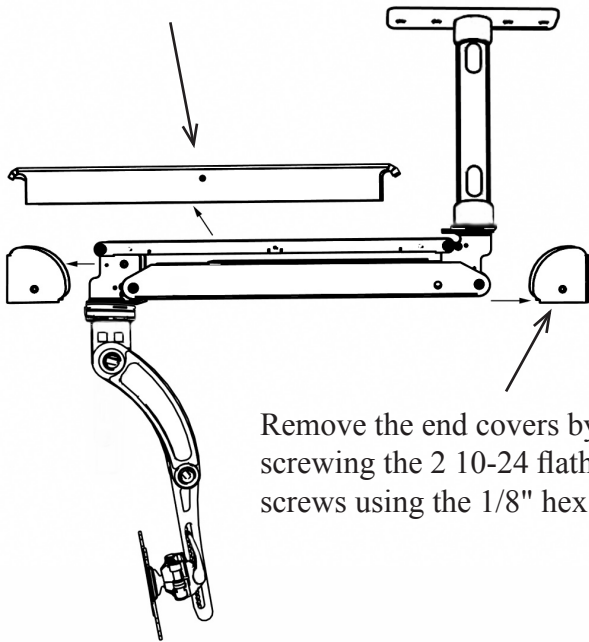
The Elite arm contains high pressure gas springs. The following cautions MUST be observed to avoid serious injury.

- 1) Do not attempt to adjust your Elite arm until everything you intend to mount to the arm is mounted.
- 2) Arm must be completely horizontal (extended) before adjusting the arm's tension. Failure to do so will damage the arm and void the warranty.
- 3) **Never loosen or remove any of the shoulder bolts. Doing so will cause the arm to immediately come apart with tremendous force, and could cause serious injury.**
- 4) If equipment requiring AC power is mounted to this unit, have a certified electrician inspect the installation.
- 5) Failure to install this unit according to these instructions will void all ICW warranties. If installed incorrectly, ICW is not liable for any damage or injury caused by the unit.



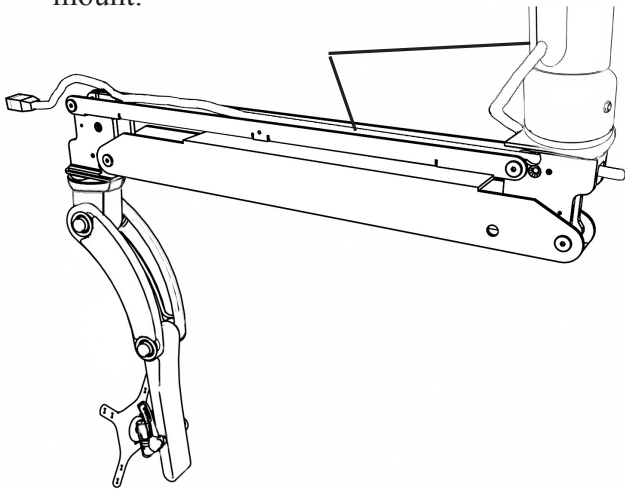
Shoulder bolt

- 4** Remove the long arm cover by unscrewing the 2 6-32 flathead screws using a philips head screwdriver.



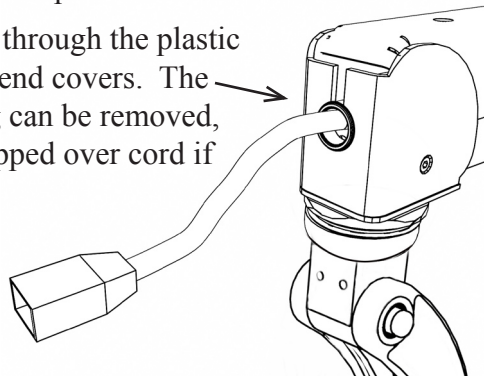
Remove the end covers by unscrewing the 2 10-24 flathead screws using the 1/8" hex key.

- 5** Run the cords along the arm all the way through the cord channel up into the ceiling mount.

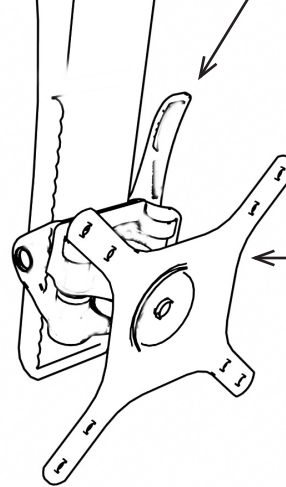


- 6** Replace the three covers on the arm, being careful not to pinch the cords.

Feed the cords through the plastic bushing in the end covers. The plastic bushing can be removed, opened and slipped over cord if necessary.

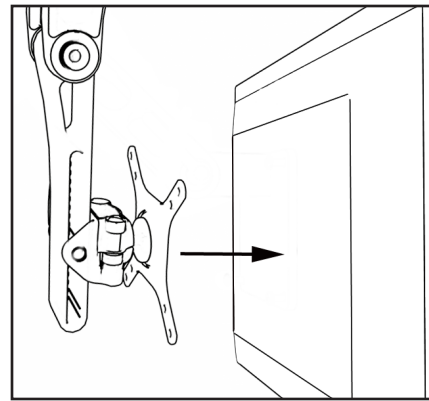


- 7** Use the slider handle to move your monitor along the slide rail.

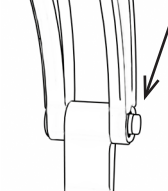


Your T-REX mount comes with a universal VESA that will accommodate a 75mm or 100mm monitor.

- 8** Attach your monitor to the T-REX mount using the 4mm screws in the hardware bag.



- 9** Use the buttons to adjust the tilt of your monitor. Lift gently on the monitor to free buttons from the monitor's weight.



- 10** Once your monitor is mounted, extend and adjust the tension on the arm using the T-handle adjustment wrench provided.

