

Single Arm Elite w/Rex



Model Number as shown:
ELR5120-C8X12-QG

ICW

Single Arm Elite w/Rex

DESCRIPTION:

The Elite Monitor Arm Series incorporates revolutionary design features allowing it to support up to 28 lbs. (12.7 kg) while providing effortless positioning. The Elite allows an LCD monitor to be suspended from the wall or ceiling and pulled out when required. Available with or without keyboard attachment.

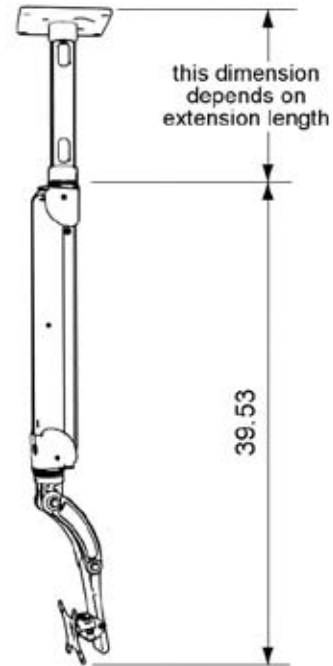
The Elite Arm is ideal for use in medical operating rooms or dental operatories. With the addition of a keyboard and mouse tray, its possible applications increase to include areas such as patient record entry and manufacturing automation.

FEATURES:

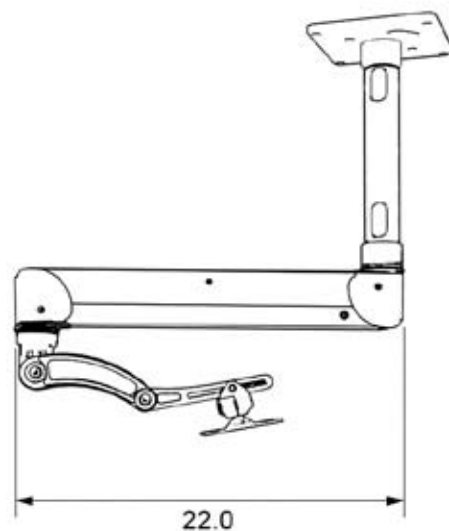
- Gas spring assisted
- Full cable management
- Effortless mobility

SPECIFICATIONS:

Finish:	Gray or black
Weight capacity:	28 lbs (12.7 kg)
Vert. adjustment range:	21"
Maximum reach:	27" with T-Rex extended
Arm swivel at mount:	360°
Screen swivel:	360°
Screen tilt:	180°
VESA interface:	75mm and 100mm



SIDE ELEVATION extended



SIDE ELEVATION folded