

# Dual Arm Elite w/Rex



Model Number as shown:  
ELR5220-WT-KRXB-QG



# Dual Arm Elite w/Rex

## DESCRIPTION:

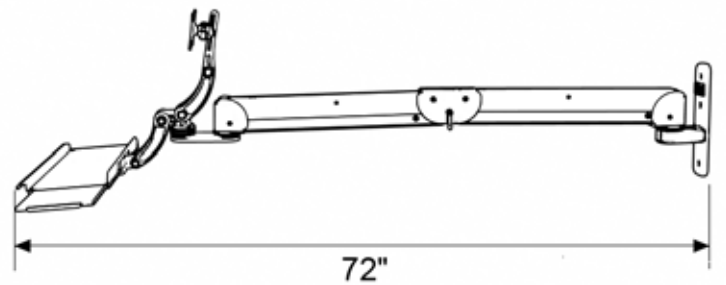
The Elite Monitor Arm Series incorporates revolutionary design features allowing it to support up to 10.5kg while providing effortless movement. The Elite allows an LCD monitor to be suspended from the wall, ceiling or mounted on a desk and pulled out when required. The addition of a keyboard and mouse tray increases its possible applications from patient record entry to manufacturing automation. The Elite wall mount is fully cable managed, gas spring assisted, provides up to 42" of vertical adjustment, along with 180° rotation. Available with or without keyboard attachment and also in a desk and ceiling mount. Ideal in medical operating rooms or dental operatories.

## FEATURES:

- Gas spring assisted
- Hidden cable management
- Effortless mobility

## SPECIFICATIONS:

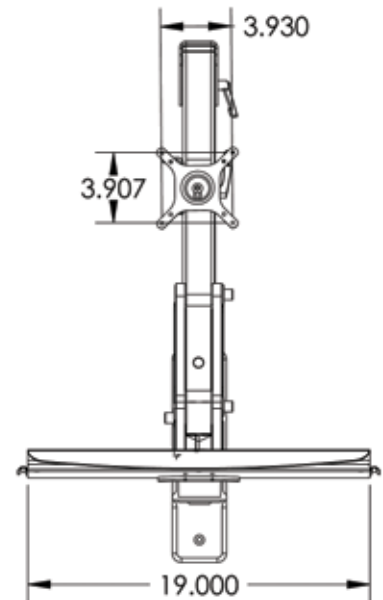
Finish:	Gray or black
Weight capacity:	28 lbs (12.7 kg) w/o keyboard; 22 lbs (9.9 kg) with keyboard
Vert. adjustment range:	42"
Maximum reach:	60" w/o keyboard 70" with keyboard
Arm swivel at mount:	180°
Screen swivel:	360°
Screen tilt:	180°
VESA interface:	75mm and 100mm



*SIDE ELEVATION extended*



*SIDE ELEVATION folded*



*FRONT ELEVATION*

