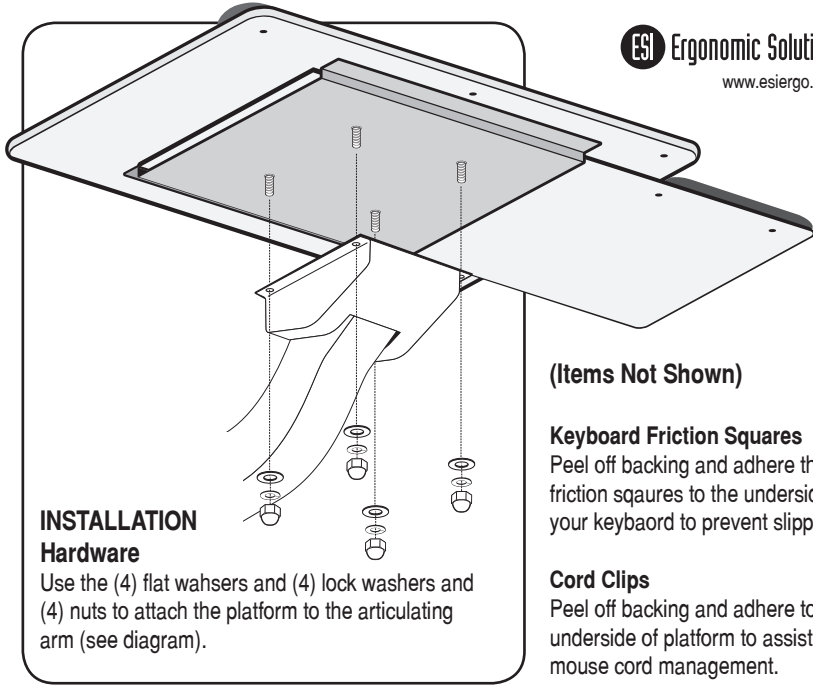




Included Hardware for:

PL200 Keyboard Platforms Installation Instructions

HARDWARE DO NOT DISCARD



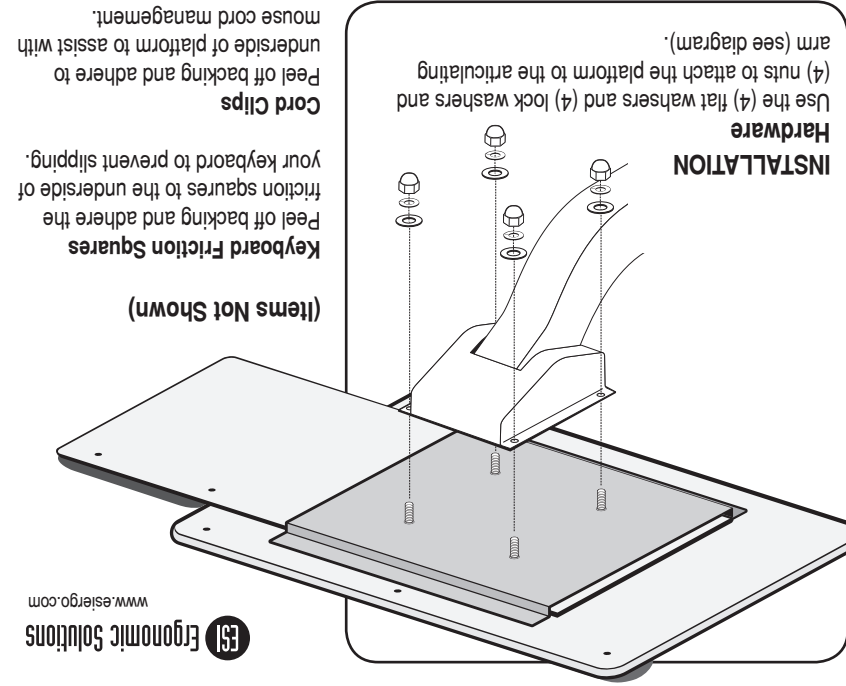
INSTALLATION Hardware

Use the (4) flat washers and (4) lock washers and (4) nuts to attach the platform to the articulating arm (see diagram).

(Items Not Shown)

Keyboard Friction Squares
Peel off backing and adhere the friction squares to the underside of your keyboard to prevent slipping.

Cord Clips
Peel off backing and adhere to underside of platform to assist with mouse cord management.



(Items Not Shown)

Keyboard Friction Squares
Peel off backing and adhere the friction squares to the underside of your keyboard to prevent slipping.

Cord Clips
Peel off backing and adhere to underside of platform to assist with mouse cord management.

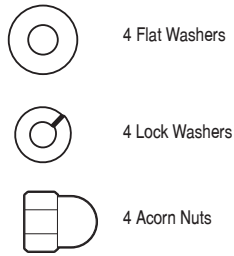
INSTALLATION Hardware

Use the (4) flat washers and (4) lock washers and (4) nuts to attach the platform to the articulating arm (see diagram).

HARDWARE DO NOT DISCARD

PL200 Keyboard Platforms Installation Instructions

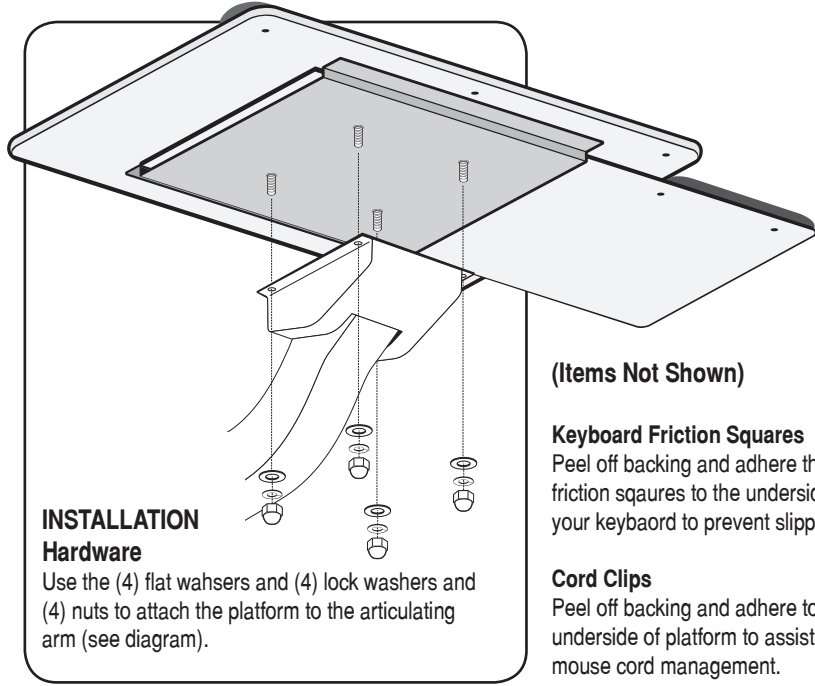
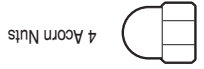
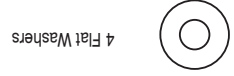
Included Hardware for:



HARDWARE DO NOT DISCARD

PL200 Keyboard Platforms Installation Instructions

Included Hardware for:



INSTALLATION Hardware

Use the (4) flat washers and (4) lock washers and (4) nuts to attach the platform to the articulating arm (see diagram).

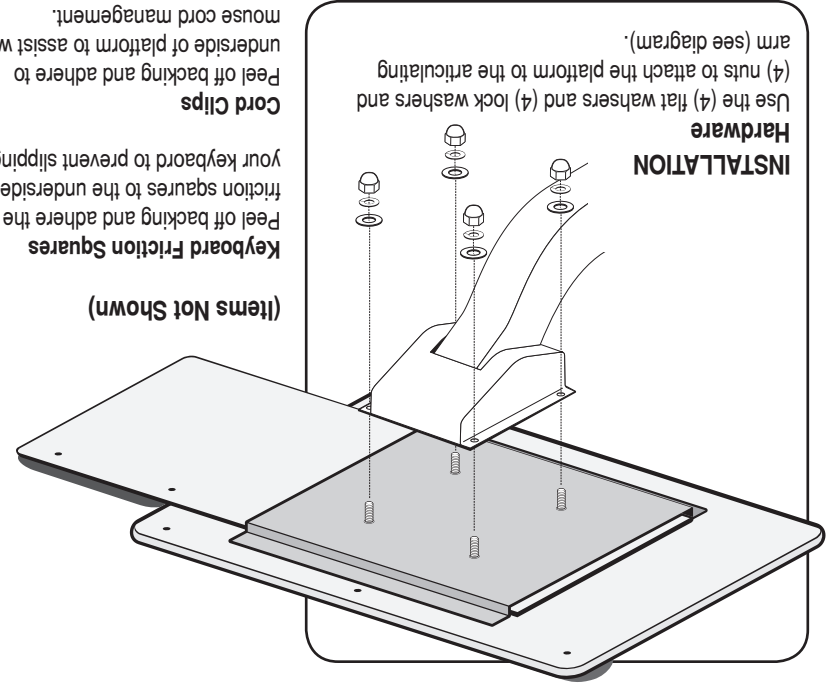
(Items Not Shown)

Keyboard Friction Squares

Peel off backing and adhere the friction squares to the underside of your keyboard to prevent slipping.

Cord Clips

Peel off backing and adhere to underside of platform to assist with mouse cord management.



(Items Not Shown)

Keyboard Friction Squares

Peel off backing and adhere the friction squares to the underside of your keyboard to prevent slipping.

Cord Clips

Peel off backing and adhere to underside of platform to assist with mouse cord management.

INSTALLATION

Hardware

Use the (4) flat washers and (4) lock washers and (4) nuts to attach the platform to the articulating arm (see diagram).

HARDWARE DO NOT DISCARD

PL200 Keyboard Platforms Installation Instructions

Included Hardware for:



4 Flat Washers



4 Lock Washers



4 Acorn Nuts