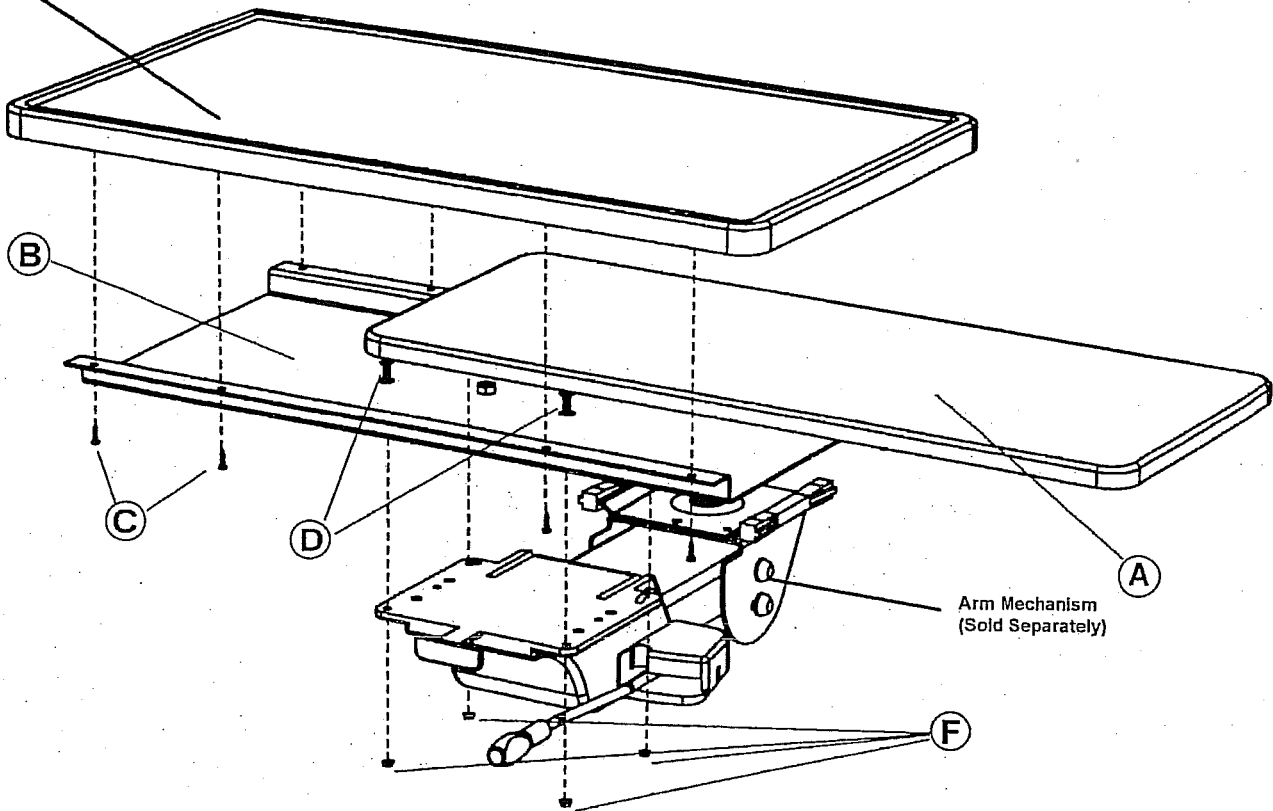


ASSEMBLY INSTRUCTIONS

PARTS LIST			
LETTER CODE	DESCRIPTION	QTY.	PART NO.
(A)	Mouse Tray	1	19990
(B)	Holding Plate	1	18155
(C)	#8 x 5/8" Tapping Screws	8	14730
(D)	Flat Head Machine Screws 3/8"	4	26120
(E)	Flat Head Machine Screws 1/2"	4	26130
(F)	Keyp Nut	4	26140

Keyboard Tray
(Sold Separately)



- 1 Mount the (B) Holding Plate to the Mechanism arm by aligning the holes in the plate with those in the mechanism, and use either the 3/8" or 1/2" length Machine Screws (depending on Mechanism used) and (F) Keyp Nuts.
- 2 Lay your Keyboard Tray face down; center the (A) Mouse Tray over it with the Slot Side Up. Place the Holding Plate with the mechanism attached upside down over the Mouse Tray, making sure the center post on the Holding Plate is engaged in the Slot in the Mouse Tray.
- 3 Carefully center the Holding Plate both front/back and side/side and fasten with eight (C) Tapping Screws.