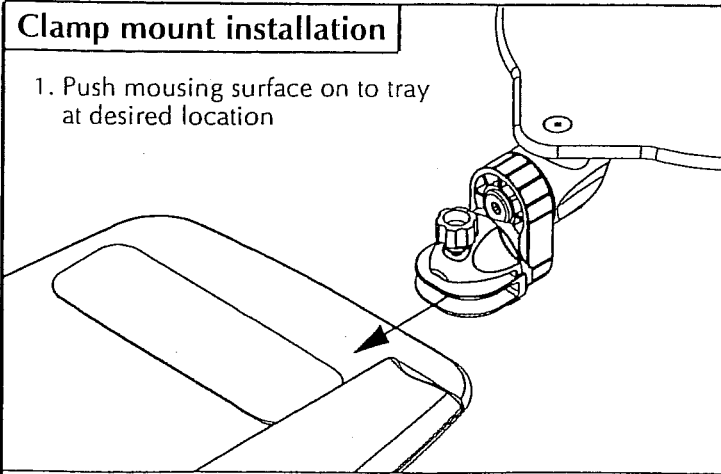


Height Adjustable Mousing Surface

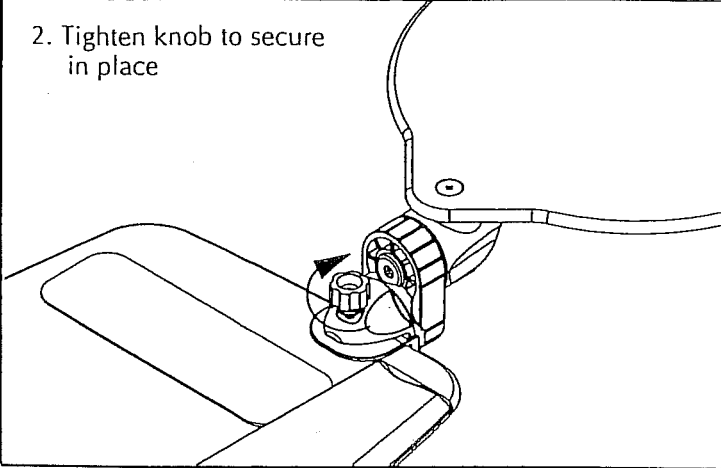
SVL-900

Clamp mount installation

1. Push mousing surface on to tray at desired location

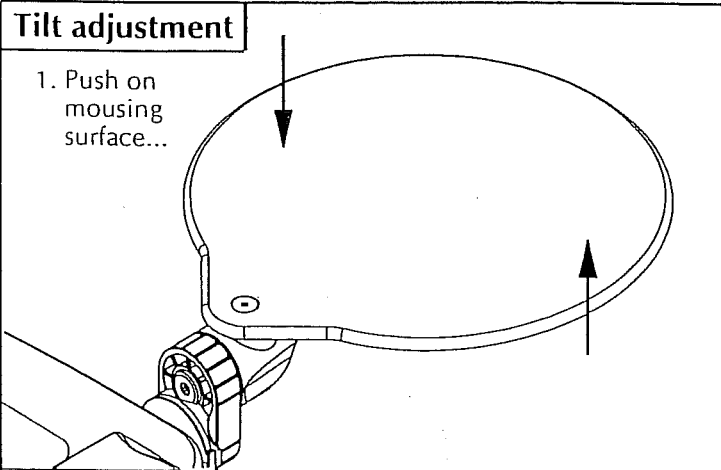


2. Tighten knob to secure in place

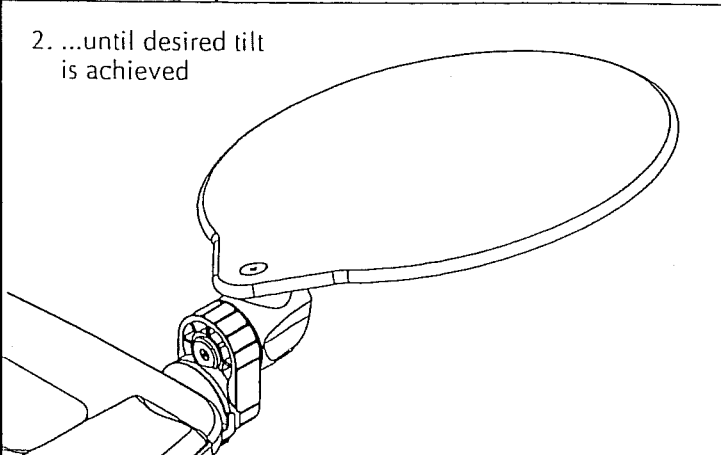


Tilt adjustment

1. Push on mousing surface...

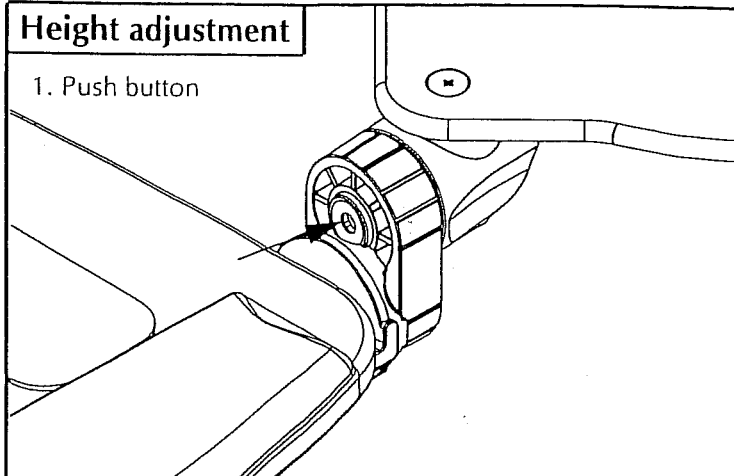


2. ...until desired tilt is achieved

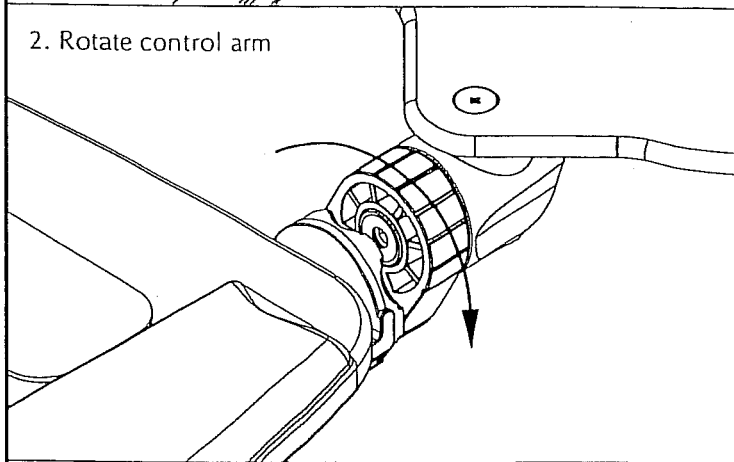


Height adjustment

1. Push button



2. Rotate control arm



3. Continue rotating until button snaps into next position

