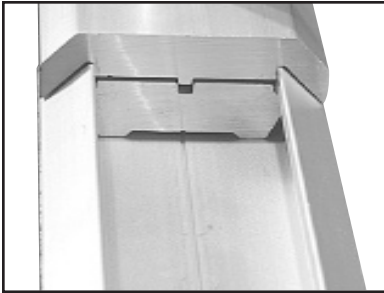


Locate the wall stud and mark the top hole of the Wall Track, drill 11/64 pilot hole and insert #14 screw and tighten slightly. Use a level, mark the lower holes, drill pilot holes and then insert the #14 screws, again checking that the unit is level.

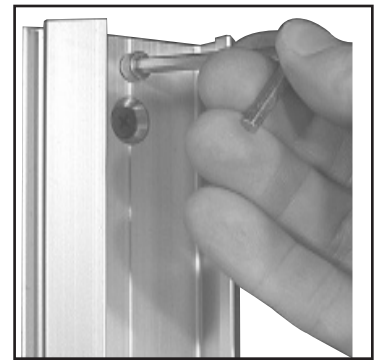


NOTE: #14 Wood screws are supplied with unit. If installing into metal studs, you will need to replace these with proper metal stud fasteners.

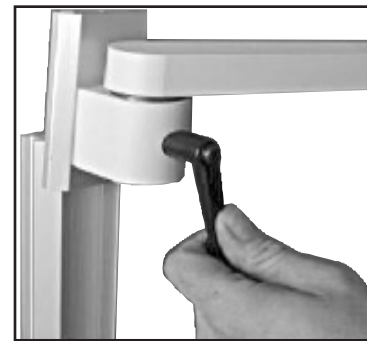
Remove small socket head cap screw in the top middle of the Wall Track. →



Insert the Slider into the Wall Track as shown at left and replace the small socket head cap screw. If you have chosen to mount your LCD underneath the arm assembly simply turn the Slider upside down and insert into the Wall Track. You cannot mount the LCD under the arm assembly if the Keyboard option is used.



Once you have adjusted the slider to the desired height, tighten down the track slider using the handle on the slider as shown at right.



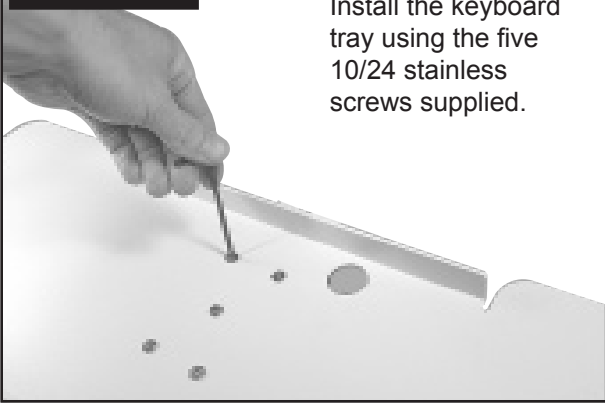
UL390 to VESA

Using the 5/32" hex key wrench, attach the VESA plate to the friction mount. **To mount the monitor lower** you can also mount the VESA upside down with the screw holes at the top. Using a phillips screw driver, attach the VESA plate to the back of your LCD monitor.



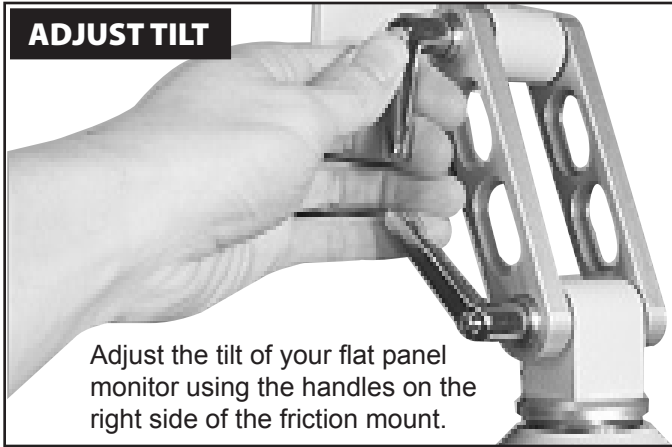
MONITOR

KEYBOARD



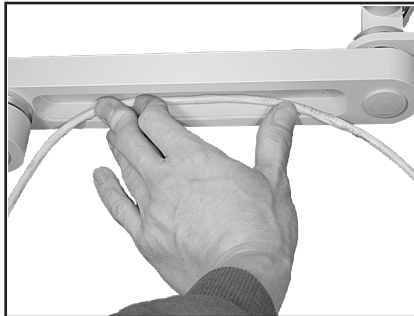
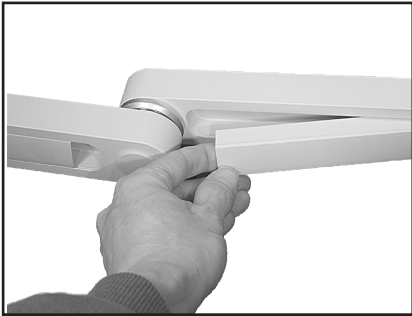
Install the keyboard tray using the five 10/24 stainless screws supplied.

ADJUST TILT



Adjust the tilt of your flat panel monitor using the handles on the right side of the friction mount.

CORD MANAGEMENT



Turn the arm assembly upside down and lay on a flat surface. Take all the cables you wish to install and lay flat beside the arm assembly. Using nylon wire ties or electricians tape, make a harness out of the cabling. Make sure to form it in such a way as to fit

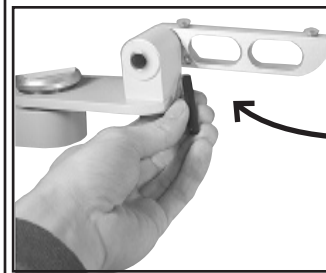
the cable cutout. Holding the cabling in place, insert the plastic cable cover, into one side of the cable cut out. Push the other side down until it locks into the cut out groove. Make sure to align cables and leave enough slack for arms to articulate correctly.

TIGHTEN JOINTS



To tighten your UL390 arm, first remove the plastic beauty cap. With the 7/32" hex key wrench provided, tighten the bolt that connects the arms.

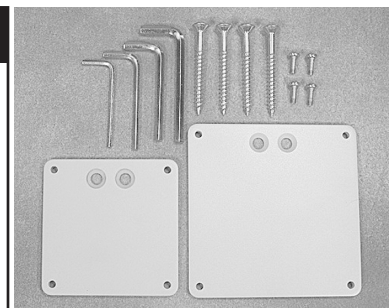
KEYBOARD FLIP



You can make your keyboard flip-up / fold down by taking out the stop pin as shown.

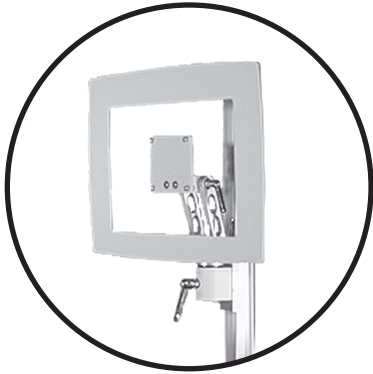
Included hardware:

- 1/8" hex key wrench
- 5/32" hex key wrench
- 5mm hex key wrench
- 7/32" hex key wrench
- 4 wood screws
- 4 - 4mm phillips head screws
- VESA plate(s)

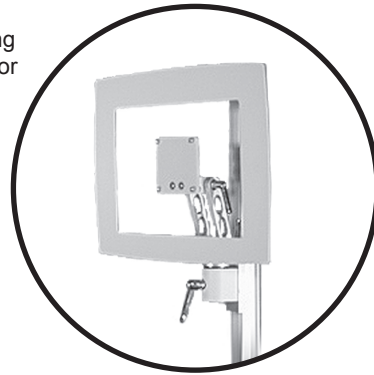


Ultra 390 Track Slider

Though we recommend mounting the monitor slider with the monitor under the slider you can choose to mount it either way.



UL390-T36-KB-QG



UL390-T36-KB-A2-QG



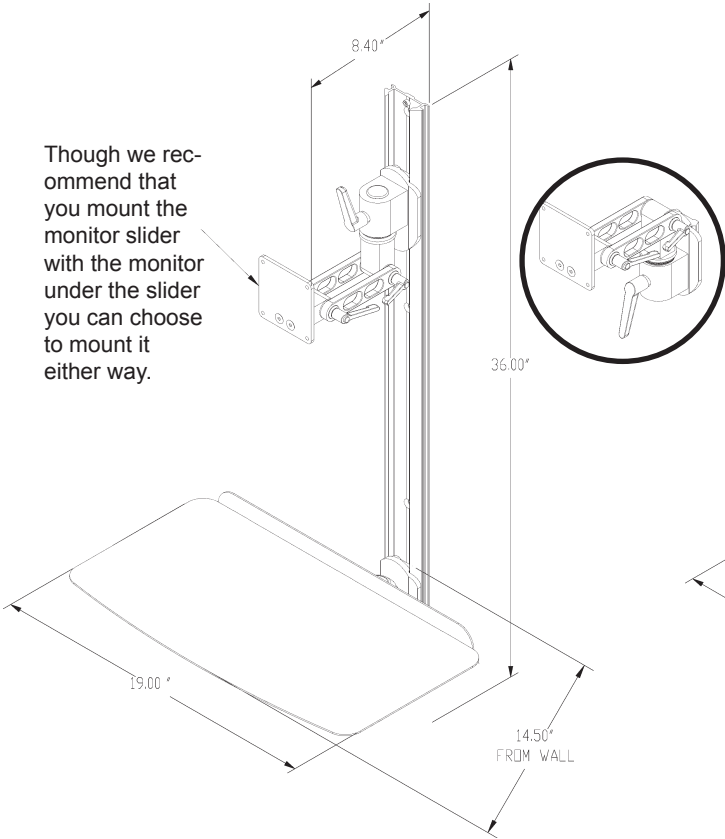
UL390-T36-KB-A3-QG



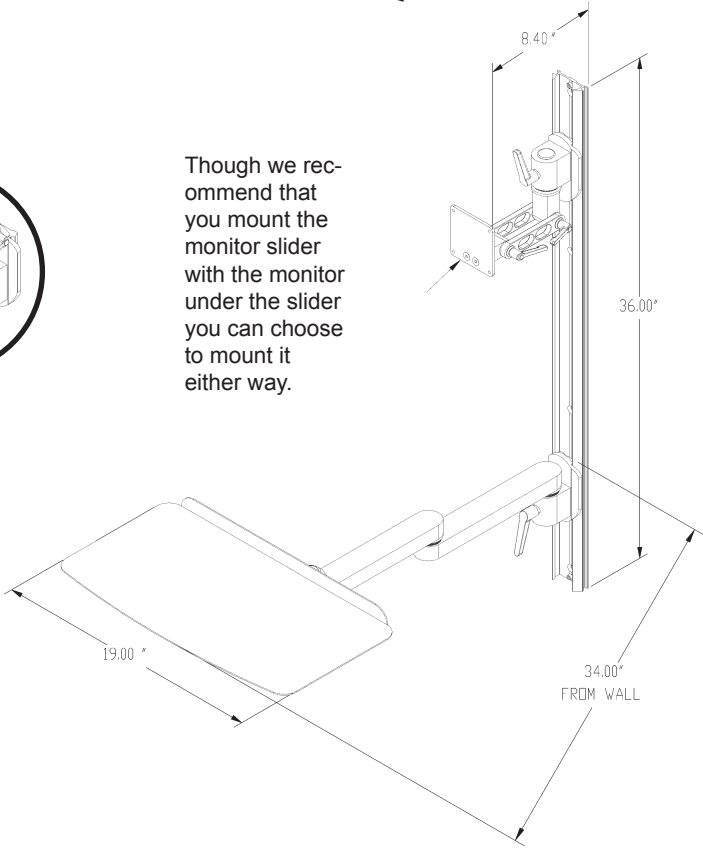
UL390-T36-KB-A4-KG

Ultra 390 Track Slider

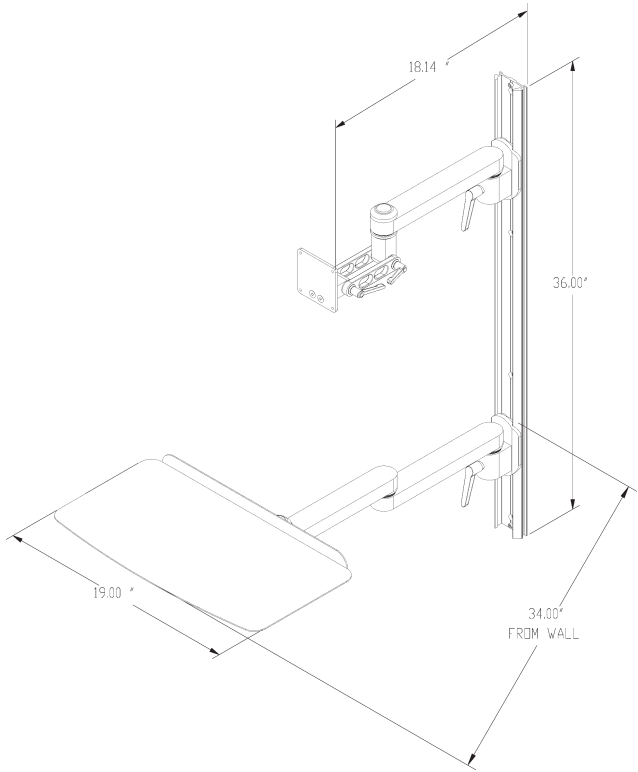
UL390-T36-KB-QG



UL390-T36-KB-A2-QG



UL390-T36-KB-A3-QG



UL390-T36-KB-A4-KG

