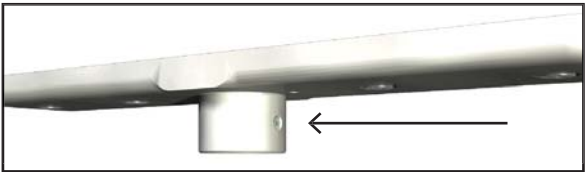




Locate the stud and mark the 4 holes, drill 11/64 pilot holes and insert the #14 screws and tighten to the stud.

NOTE : # 14 Wood screws are provided with unit. If installing onto metal studs, you will need to replace with proper metal stud fasteners.



Using the 1/8" hex key wrench provided, place the set screw into the ceiling mount but do not screw in completely yet.



Take the unit and screw it into the ceiling mount until tight. Then tighten down the set screw.

You should feel the unit rotate smoothly.

Be sure that the set screws are screwed tightly into the extension before you attach the LCD monitor.



VESA

Using the 5/32" hex key wrench, attach the VESA plate to the friction mount. **To mount the monitor lower** you can also mount the VESA upside down with the screw holes at the top. Using a phillips screwdriver, attach the VESA plate to the back of your LCD monitor.



MONITOR

ADJUSTMENT

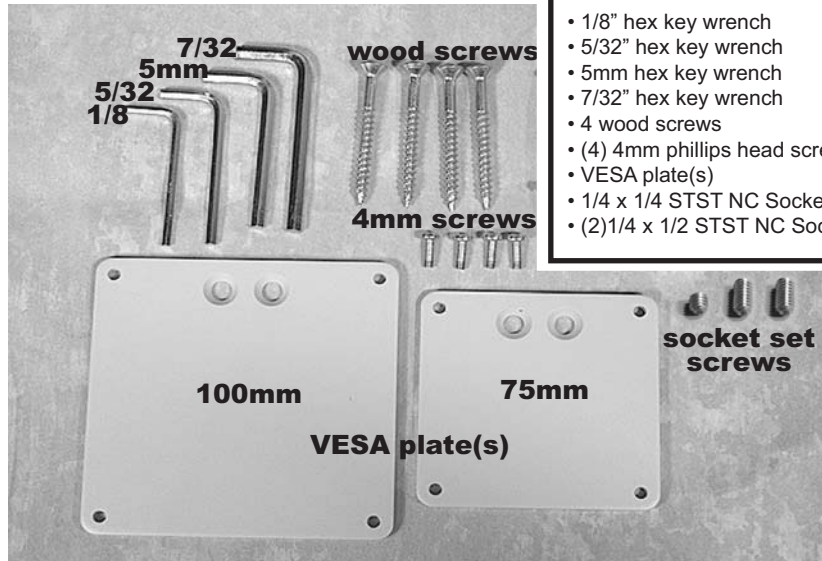


Make tilt adjustments and minor height adjustments of your flat panel monitor using the handles on the right side of the friction mount.

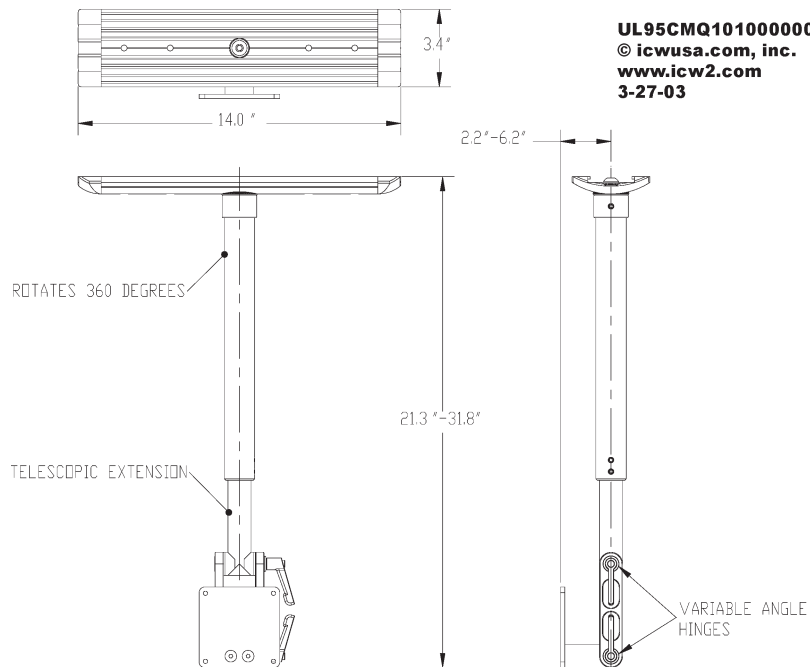


Adjust the height of your monitor by loosening the set screws, raising it to the correct height then tightening the set screws.

Included hardware:



- 1/8" hex key wrench
- 5/32" hex key wrench
- 5mm hex key wrench
- 7/32" hex key wrench
- 4 wood screws
- (4) 4mm phillips head screws
- VESA plate(s)
- 1/4 x 1/4 STST NC Socket Set
- (2) 1/4 x 1/2 STST NC Socket Set



IMPORTANT: IF YOU HAVE PRINTED THIS DOCUMENT ON YOUR OWN PRINTER, PLEASE MAKE CERTAIN THAT THE SCALE BELOW ALIGNS CORRECTLY WITH A MEASURING TAPE.

