

VCPU-8

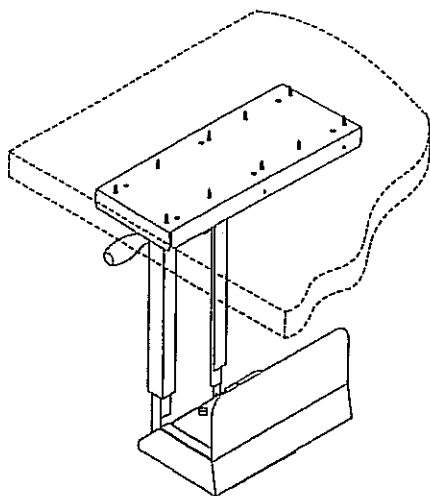
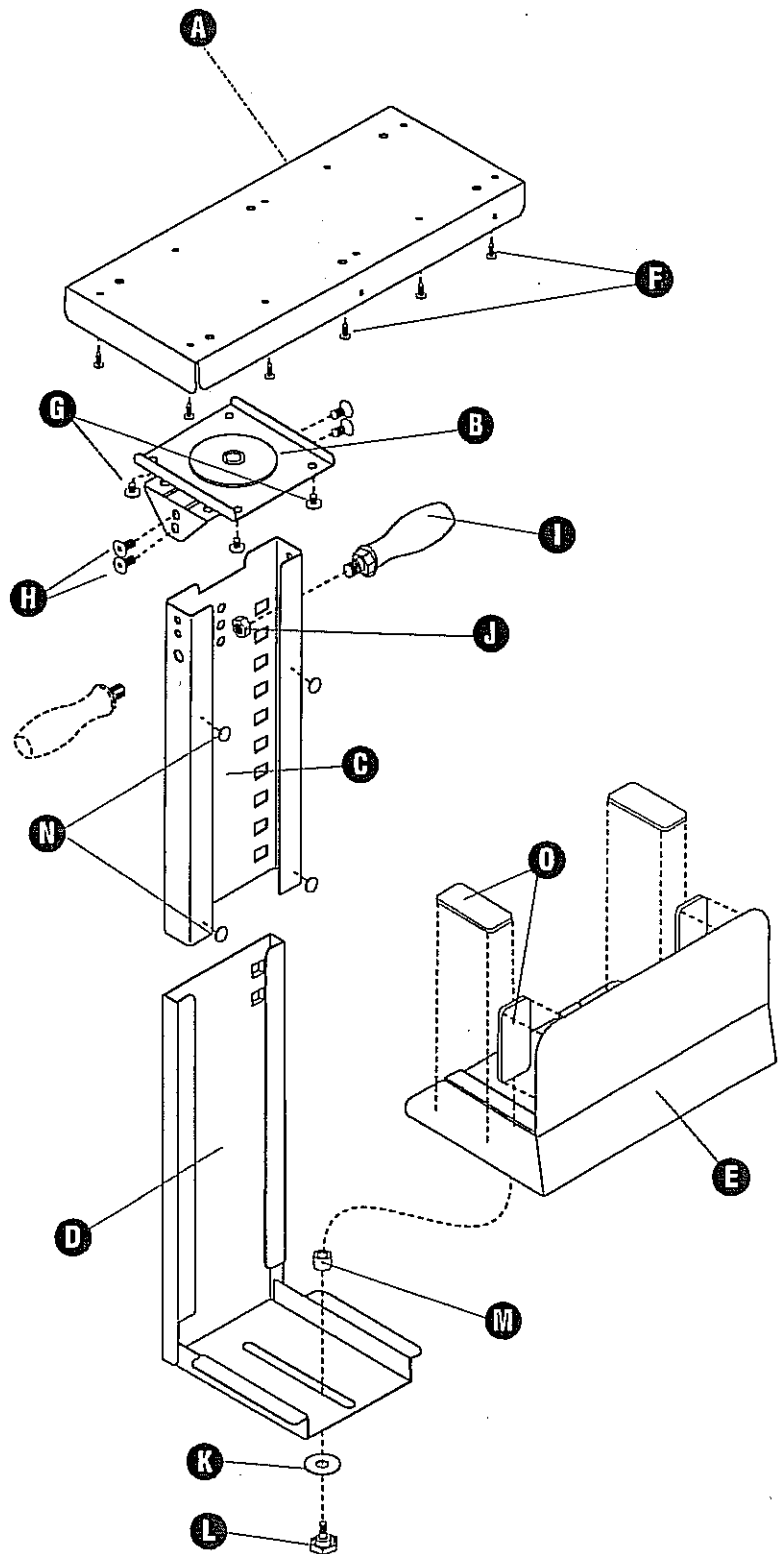
ASSEMBLY INSTRUCTIONS

TOOLS REQUIRED: Phillips Screwdriver; Awl, or Hammer and Nail (Allen Wrench included)

Sort and count your parts before assembling!

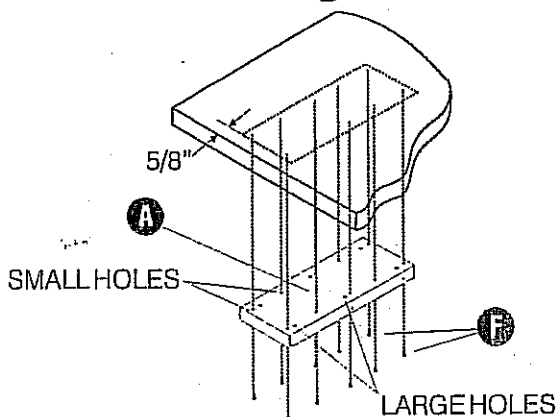
PARTS LIST

CODE	DESCRIPTION	QTY.	PART NO.
(A)	Slide Support	1	
(B)	Slider	1	
(C)	Upper Bracket	1	
(D)	Lower Bracket	1	
(E)	CPU Stop	1	
(F)	Small Screw	10	
(G)	Large Bolt	4	
(H)	Socket Screw	4	
(I)	Handle	1	
(J)	Nut	1	
(K)	Washer	1	
(L)	Knob	1	
(M)	Spacer	1	
(N)	Round Pad	4	
(O)	Rectangular Pad	4	
(P)	Allen Wrench	1	

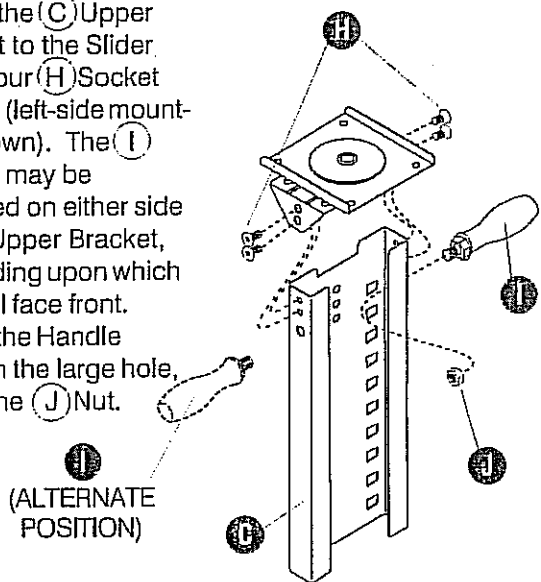


ASSEMBLED UNIT

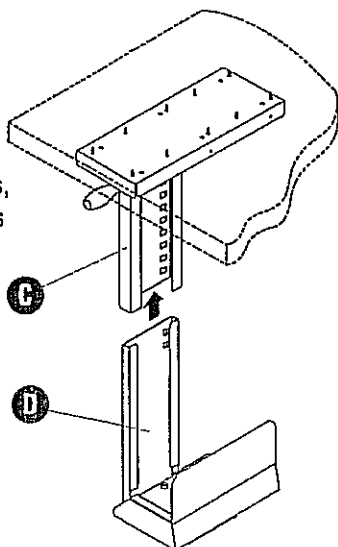
- 1** Fit the (A) Slide Support to the underside of your computer work surface, keeping the front edge about 5/8" back from the work surface edge and with enough clearance at the sides to allow proper CPU movement.
- Mark the small hole positions with an awl or nail, and mount securely with ten (F) Small Screws.



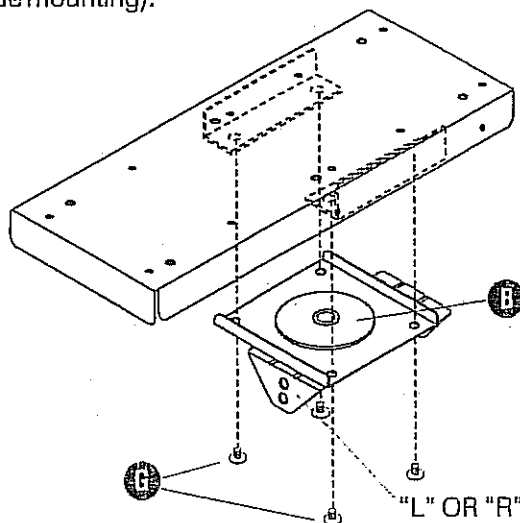
- 3** Mount the (C) Upper Bracket to the Slider, using four (H) Socket Screws (left-side mounting shown). The (I) Handle may be mounted on either side of the Upper Bracket, depending upon which side will face front. Mount the Handle through the large hole, using the (J) Nut.



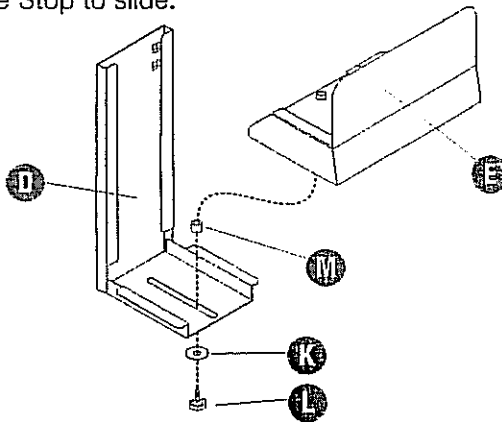
- 5** Slide the (D) Lower Bracket into the (C) Upper Bracket to the desired height. There are seven positions available, at 1" spacings, to adjust to CPU heights from about 15" to 21".



- 2** Using four (G) Large Bolts, securely fasten the (B) Slider to the underside of the Slide Support ("L" forward for left-side mounting; "R" forward for right-side mounting).



- 4** Place the (K) Washer onto the stem of the (L) Knob, and insert the Knob stem through the slot in the (D) Lower Bracket. Place the (M) Spacer onto the Knob stem, and screw the Knob into the threaded hole on the (E) CPU Stop. Leave the Knob loose enough for the Stop to slide.



- 6** Peel the backing from the (N) Round Pads and mount them to the Upper Bracket as shown. Peel the backing from the (O) Rectangular Pads and mount them to the CPU Stop as shown.

Place the CPU into the holder, slide the Stop against the CPU, and tighten the Knob.

Use the Handle to slide the CPU in or out, or to swivel it 180 degrees.

