

# Tiffany Industries™

A MAYLINE GROUP COMPANY

619 N. Commerce, P.O. Box 728  
Sheboygan, WI 53082-0728

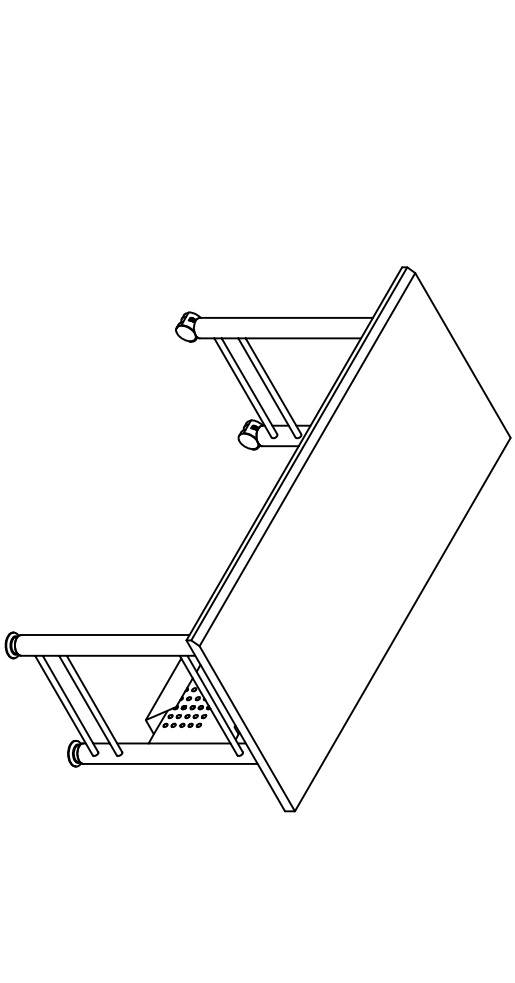
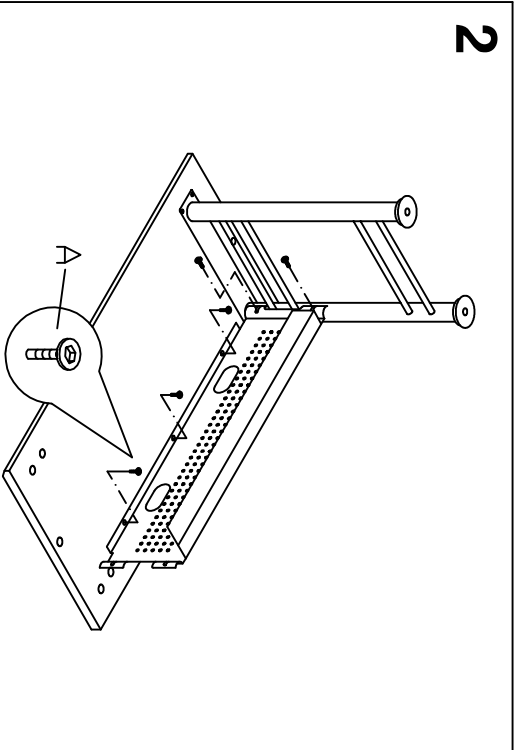
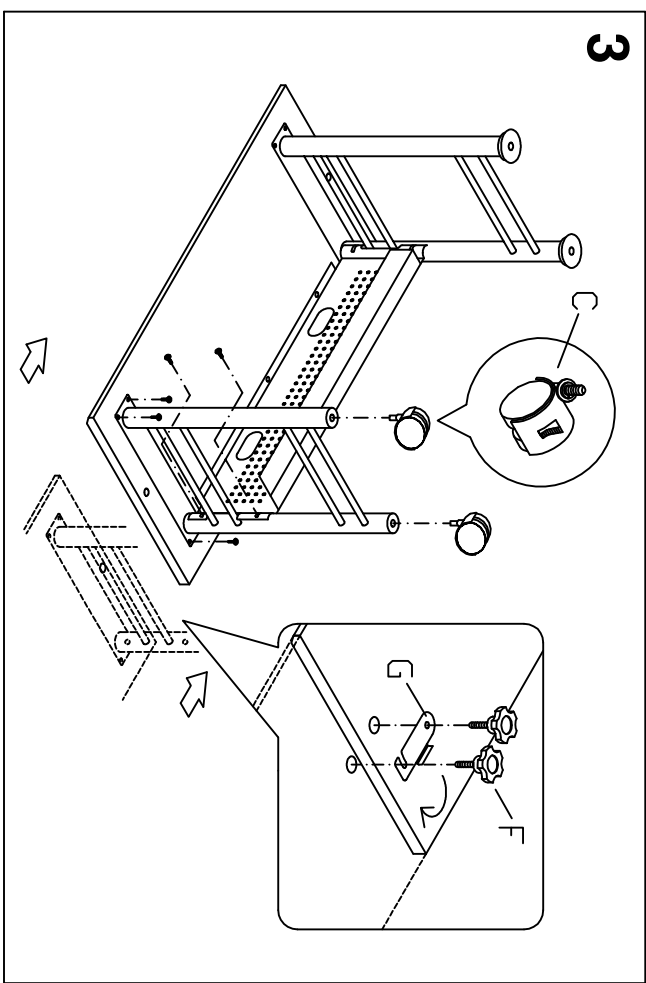
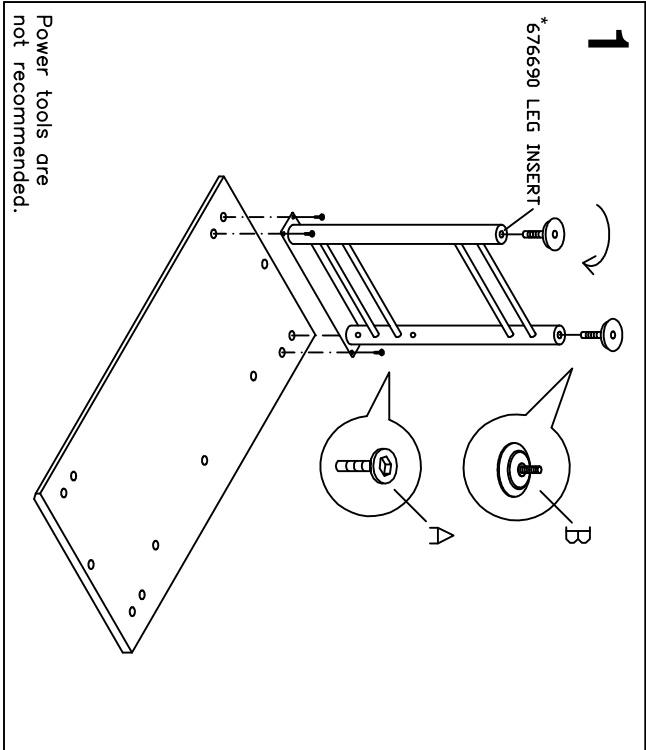
On Line: [www.mayline.com](http://www.mayline.com)

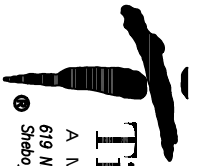
When ordering components, specific color and/or size information may be required.  
Contact a Mayline Customer Service Representative: 1-800-822-8037

\* Individual Items, Order by part number.

1860RCANTBLK  
1860RCPARBLK  
1860RCROSBLK  
INSTRUCTION SHEET

- A X15
  - B X2  
428720 \*  
LEVELER
  - C X2  
633150 \*  
LOCKING  
CASTER
  - D X1
  - E X1
  - F X2  
490535 \*  
KNDB
  - G X1  
904144 \*  
METAL  
BRACKET
- ITEMS A-G  
REPLACEMENT  
HARDWARE  
BAG 990820 \*  
MAY HAVE  
EXTRA ITEMS





# Tiffany Industries™

A MAYLINE GROUP COMPANY

619 N. Commerce, P.O. Box 728  
Sheboygan, WI 53082-0728

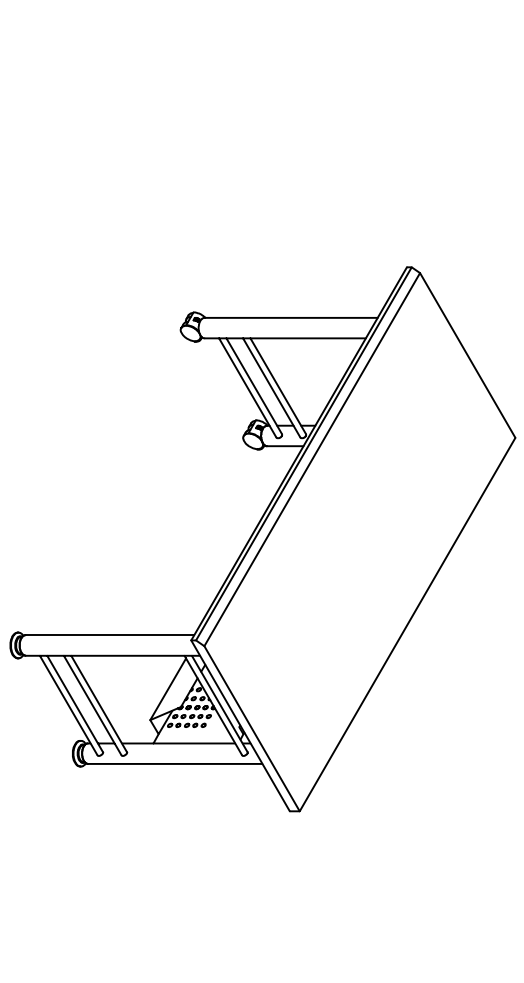
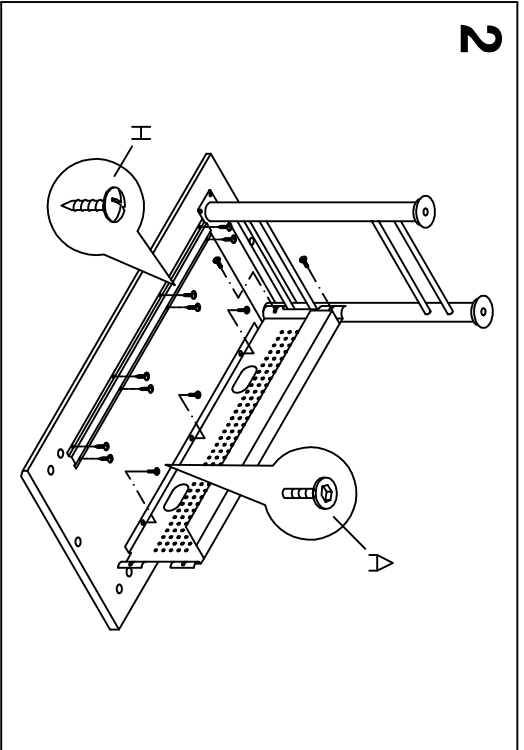
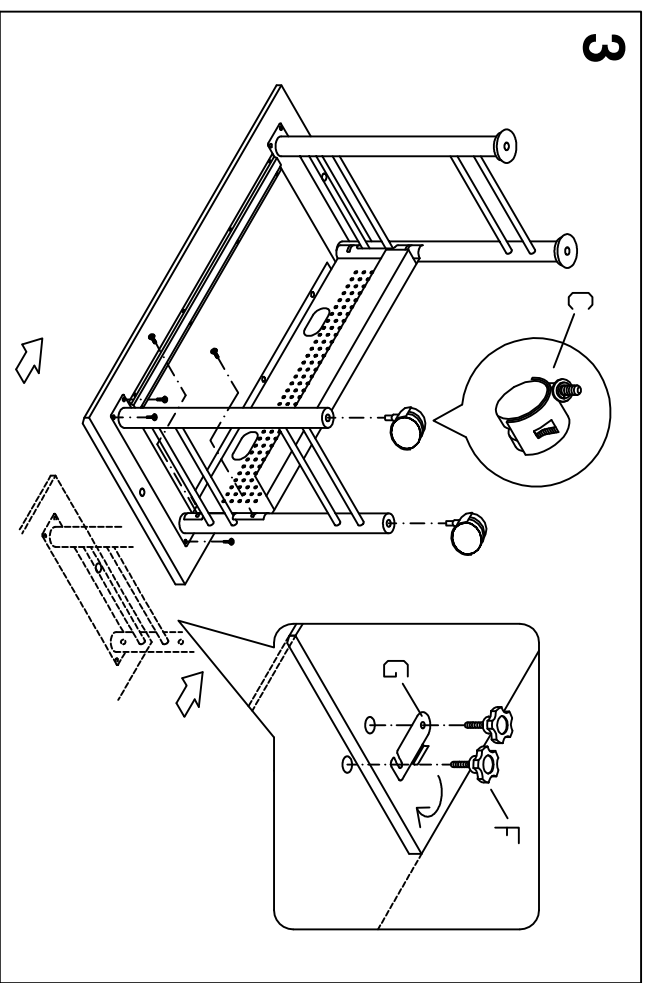
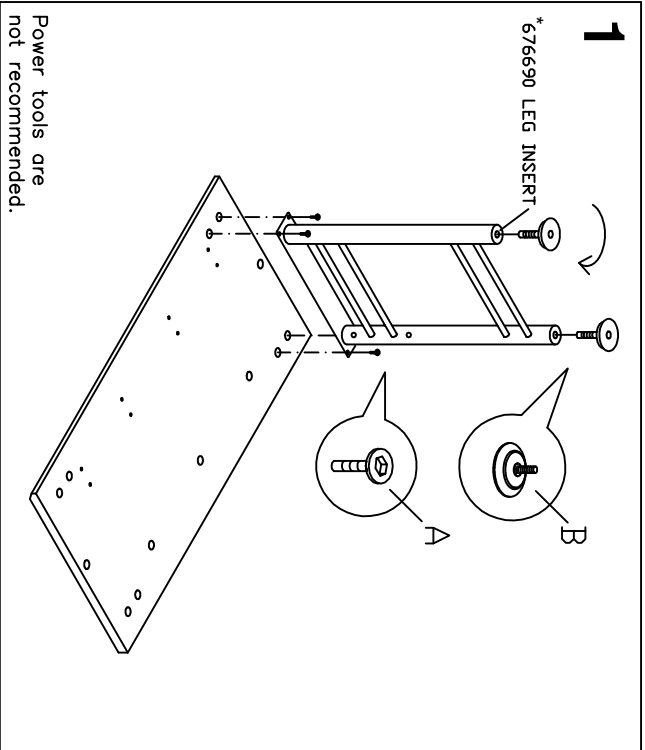
Toll Free: 1-800-822-8037  
FAX: 920-457-7388  
On Line: [www.mayline.com](http://www.mayline.com)

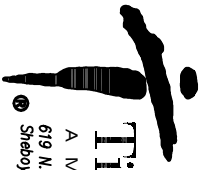
When ordering components, specific color and/or size information may be required.  
Contact a Mayline Customer Service Representative. 1-800-822-8037

\* Individual Items. Order by part number.

1872RCANTBLK  
1872RCPARBLK  
1872RCROSBLK  
INSTRUCTION SHEET

A		X15
B		X2
C		X2
D		X1
E		X1
F		X2
G		X1
H		X8
ITEMS A-H 990820* HARDWARE BAG		





# Tiffany Industries™

A MAYLINE GROUP COMPANY

619 N. Commerce, P.O. Box 728  
Sheboygan, WI 53082-0728

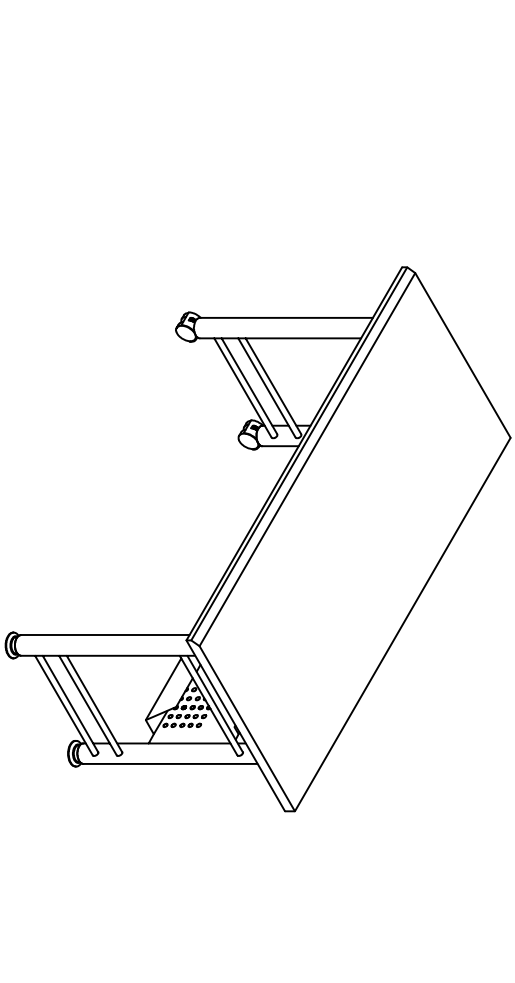
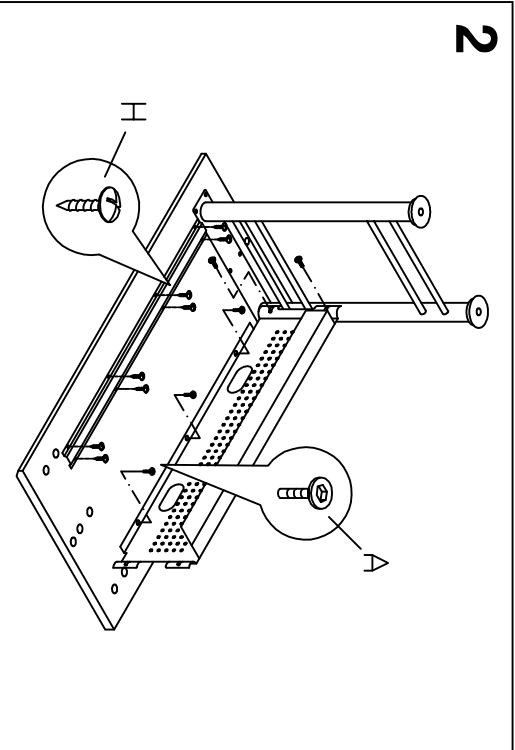
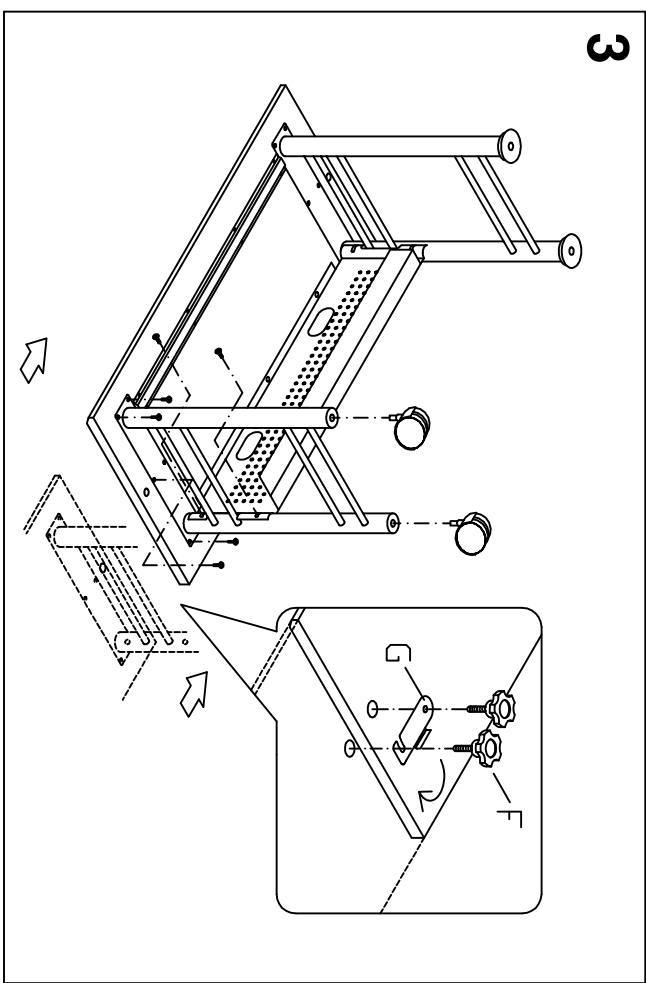
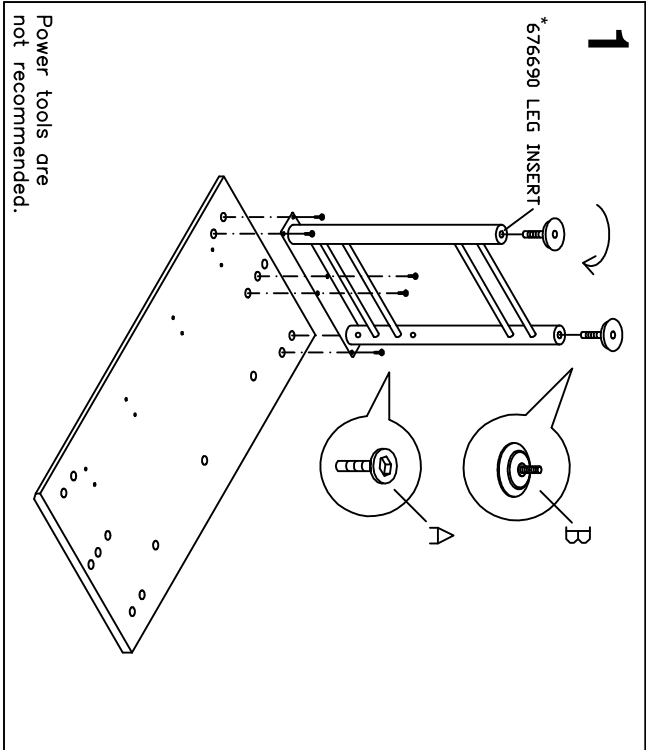
On Line: [www.mayline.com](http://www.mayline.com)

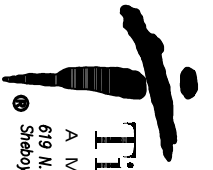
When ordering components, specific color and/or size information may be required.  
Contact a Mayline Customer Service Representative: 1-800-822-8037

\* Individual Items, Order by part number.

2472RCANTBLK  
2472RCPARBLK  
2472RCROSSBLK  
INSTRUCTION SHEET

A	X19	
B	X2	
C	X2	
D	X1	
E	X1	
F	X2	
G	X1	
H	X8	
ITEMS A-H		
990823* HARDWARE BAG		





# Tiffany Industries™

A MAYLINE GROUP COMPANY

619 N. Commerce, P.O. Box 728  
Sheboygan, WI 53082-0728

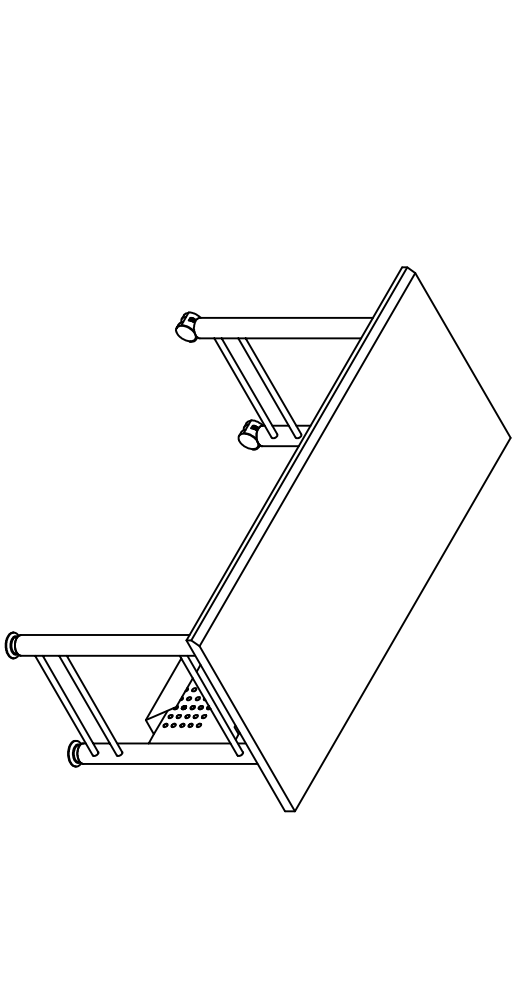
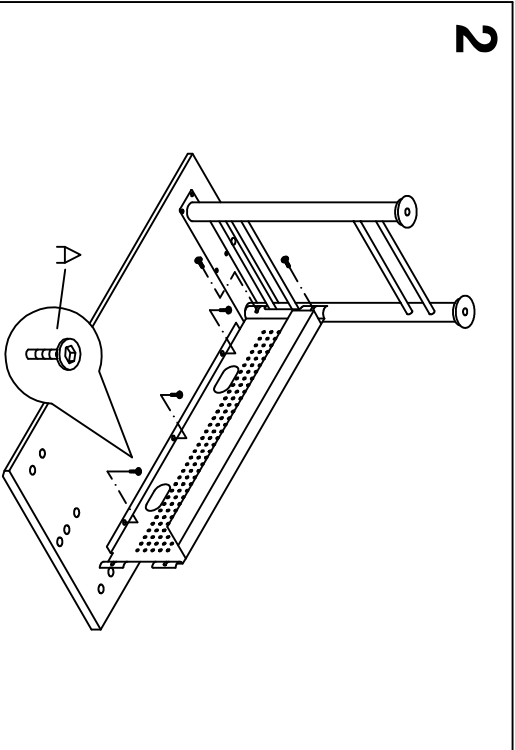
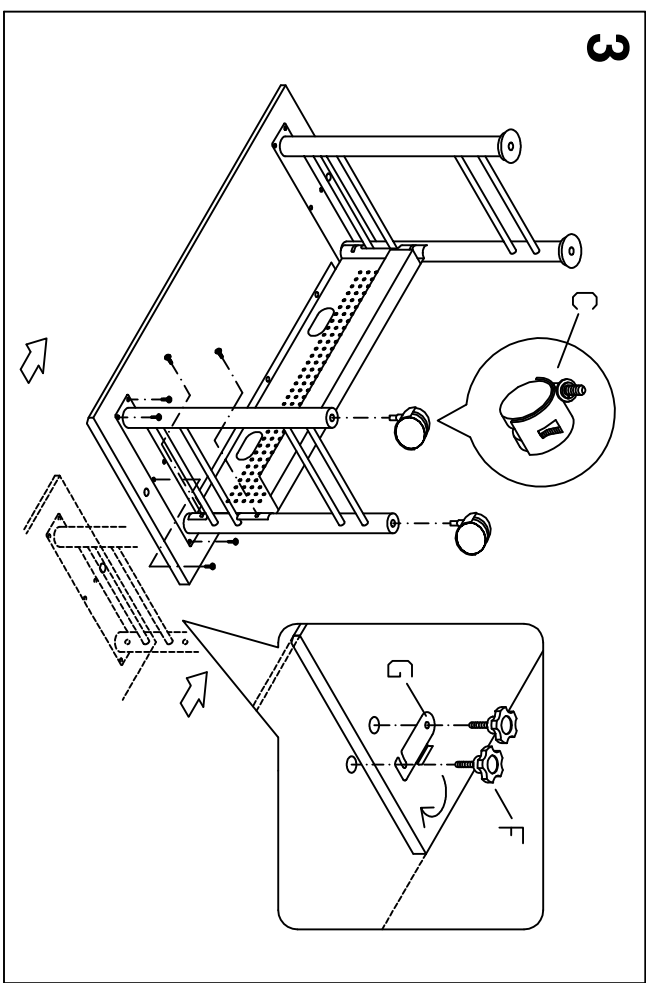
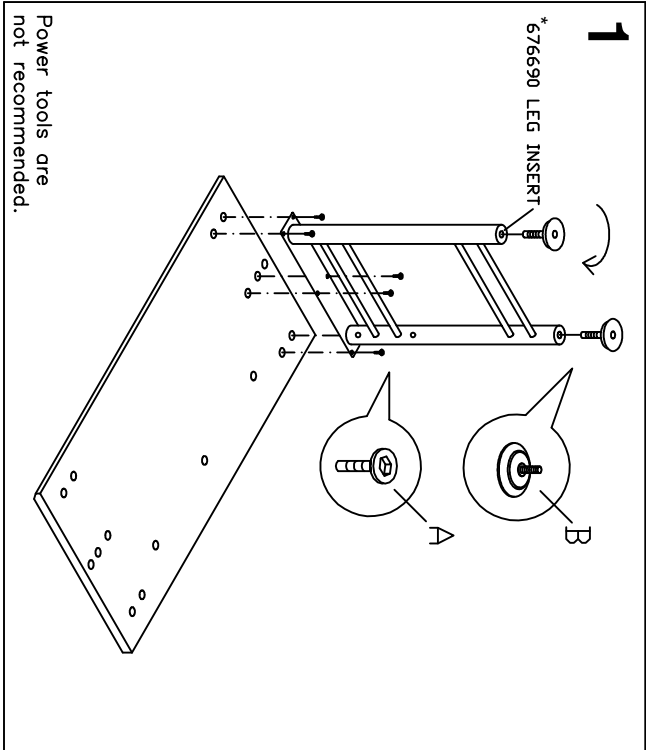
On Line: [www.mayline.com](http://www.mayline.com)

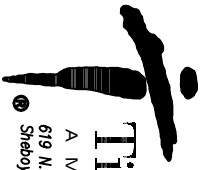
When ordering components, specific color and/or size information may be required.  
Contact a Mayline Customer Service Representative: 1-800-822-8037

\* Individual Items, Order by part number.

2460RCANTBLK  
2460RCPARBLK  
2460RCROSSBLK  
INSTRUCTION SHEET

- A X19
  - B X2  
428720 \*  
LEVELER
  - C X2  
633150 \*  
LOCKING  
CASTER
  - D X1
  - E X1
  - F X2  
490535 \*  
KNDB
  - G X1  
904144 \*  
METAL  
BRACKET
- ITEMS A-G  
REPLACEMENT  
HARDWARE  
BAG 990823\*  
MAY HAVE  
EXTRA ITEMS





# Tiffany Industries™

A MAYLINE GROUP COMPANY

619 N. Commerce, P.O. Box 728  
Sheboygan, WI 53082-0728

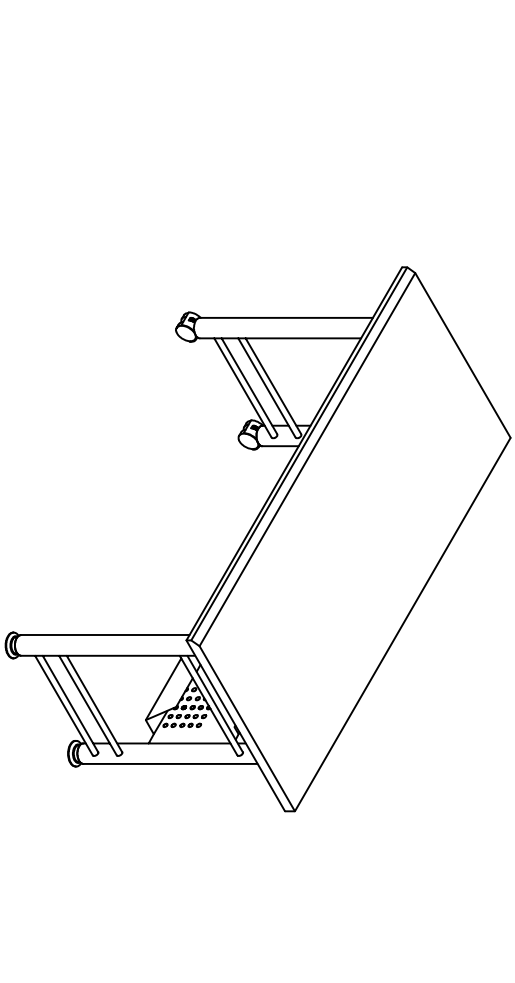
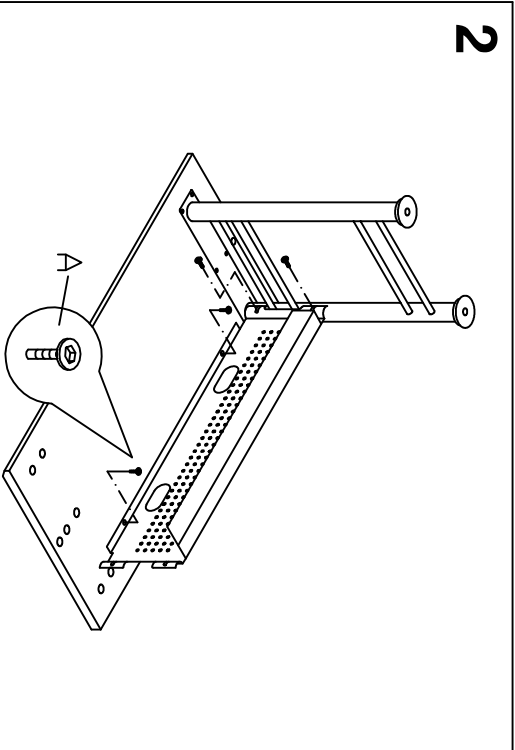
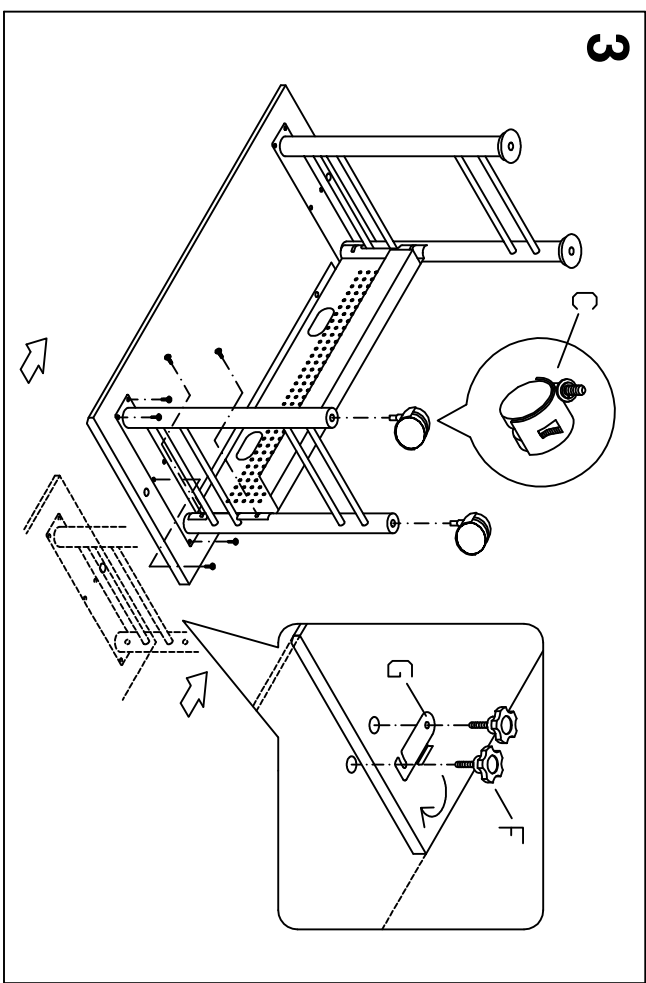
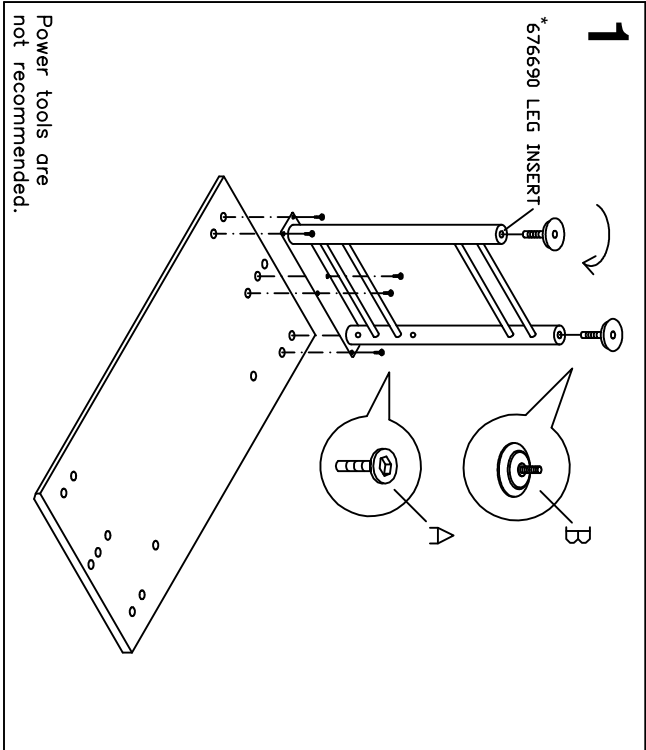
Toll Free: 1-800-822-8037  
FAX: 920-457-7388  
On Line: [www.mayline.com](http://www.mayline.com)

When ordering components, specific color and/or size information may be required.  
Contact a Mayline Customer Service Representative: 1-800-822-8037

\* Individual Items, Order by part number.

2448RCANTBLK  
2448RCPARBLK  
2448RCROSSBLK  
INSTRUCTION SHEET

- A X18
  - B X2  
428720 \*  
LEVELER
  - C X2  
633150 \*  
LOCKING  
CASTER
  - D X1
  - E X1
  - F X2  
490535 \*  
KNDB
  - G X1  
904144 \*  
METAL  
BRACKET
- ITEMS A-G  
REPLACEMENT  
HARDWARE  
BAG 990823\*  
MAY HAVE  
EXTRA ITEMS





# Tiffany Industries™

A MAYLINE GROUP COMPANY

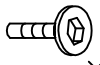






619 N. Commerce, P.O. Box 728  
Sheboygan, WI 53082-0728

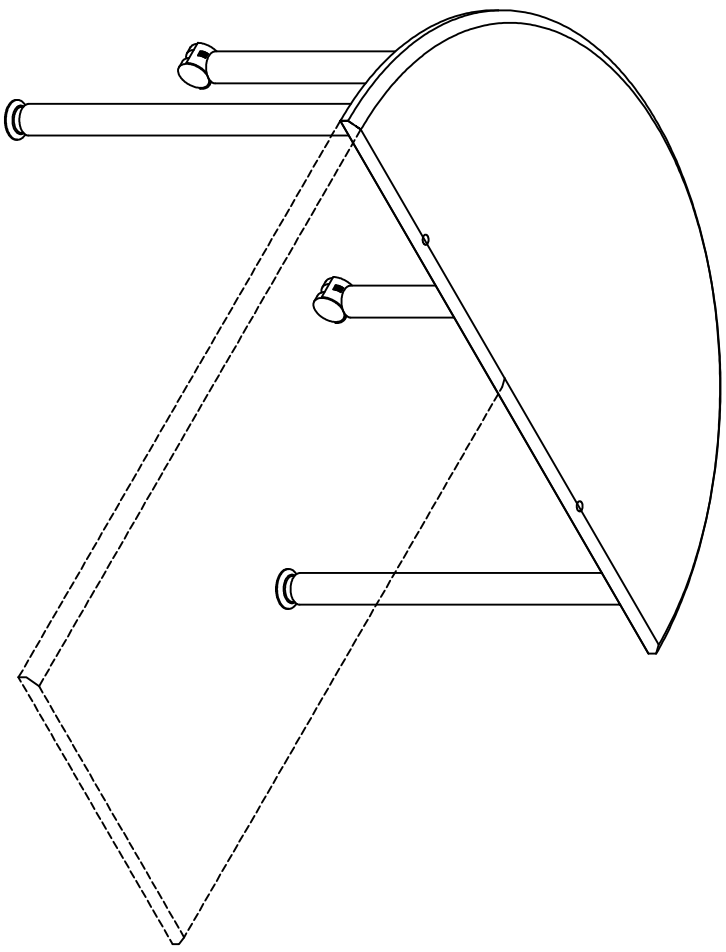
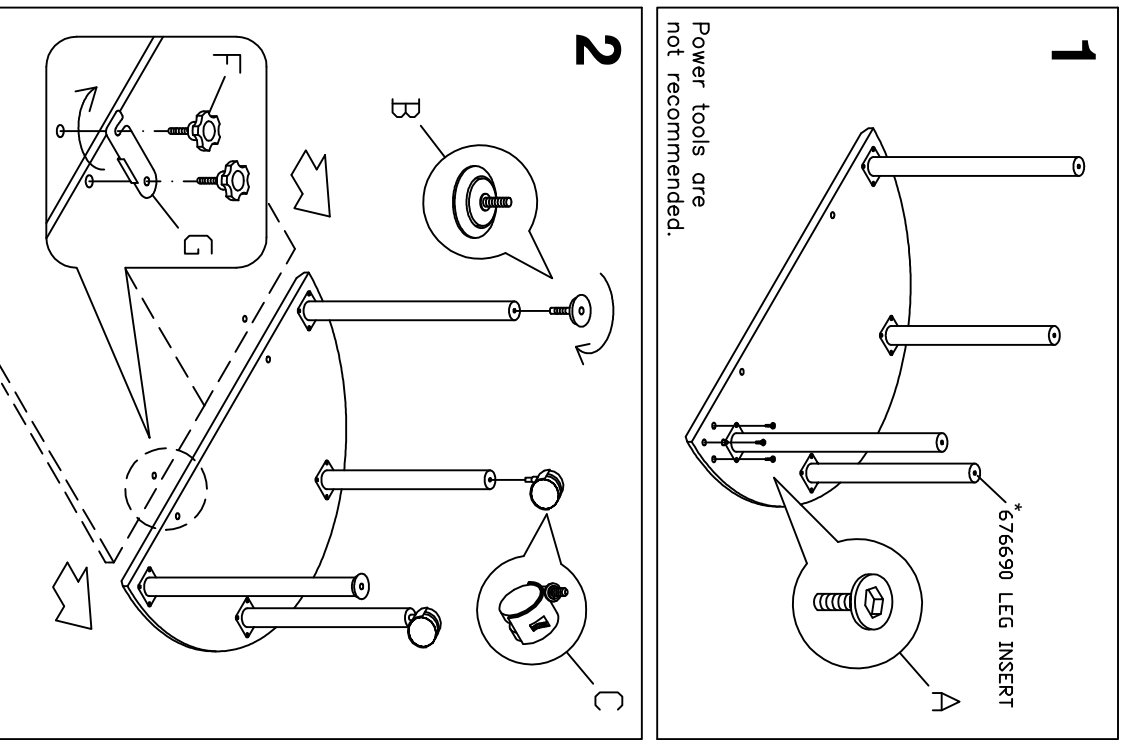
Toll Free: 1-800-822-8037  
FAX: 920-457-7388  
On Line: [www.mayline.com](http://www.mayline.com)

When ordering components, specific color and/or size information may be required.  
Contact a Mayline Customer Service Representative: 1-800-822-8037

\* Individual Items. Order by part number.

2448HCANTBLK  
2448HCPARBLK  
2448HCROSBLK  
INSTRUCTION SHEET

A		x16
B		x2
C		x2
D		x1
E		x1
F		x4
G		x2
904144 * METAL BRACKET ITEMS A-G		
990826 * HARDWARE BAG		





# Tiffany Industries™

A MAYLINE GROUP COMPANY

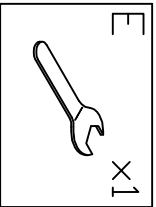
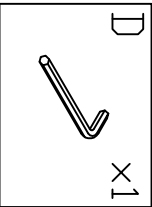
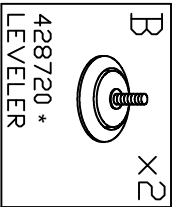
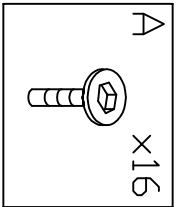
619 N. Commerce, P.O. Box 728  
Sheboygan, WI 53082-0728

Toll Free: 1-800-822-8037  
FAX: 920-457-7388  
On Line: [www.mayline.com](http://www.mayline.com)

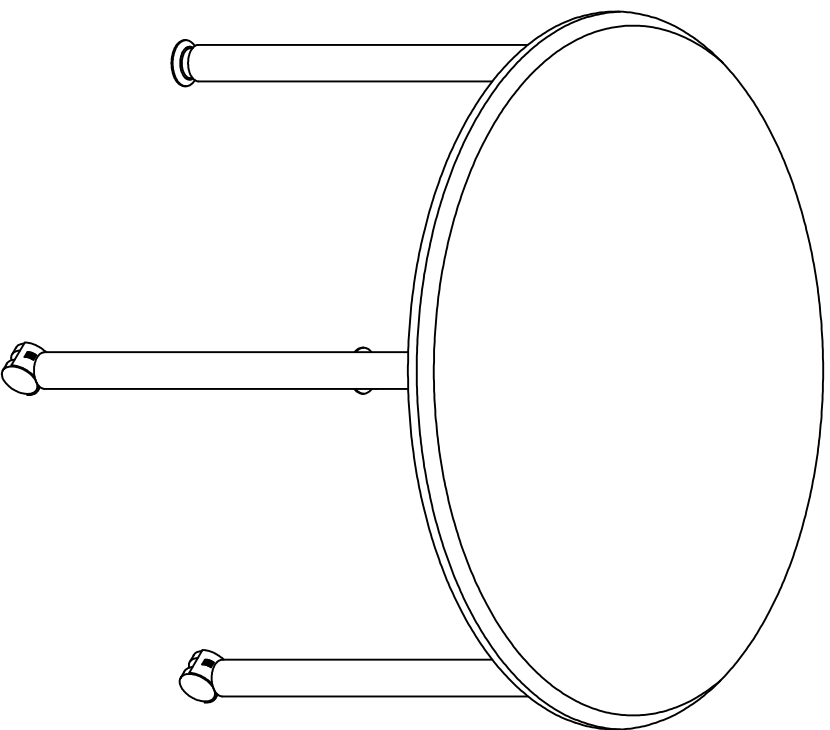
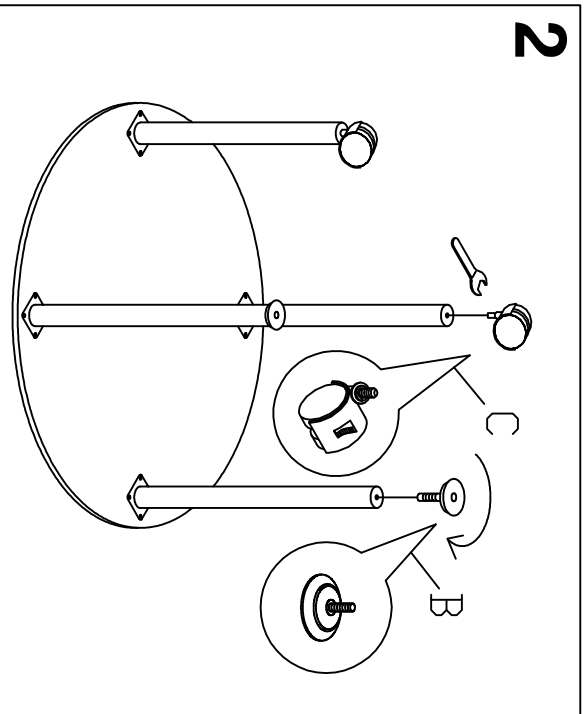
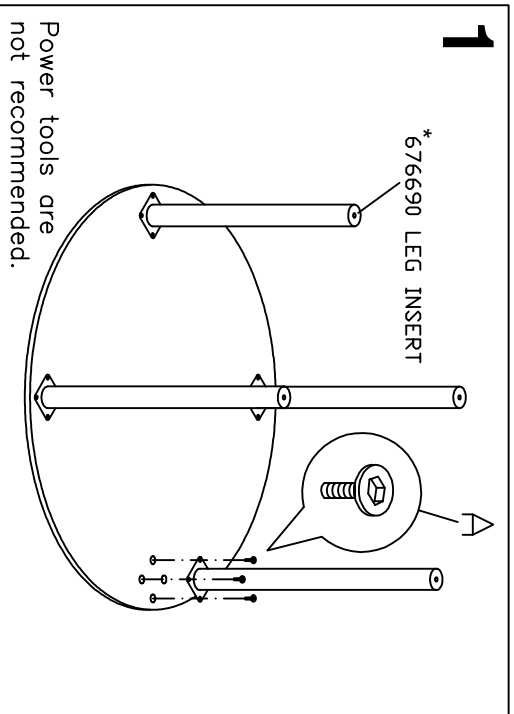
When ordering components, specific color and/or size information may be required. Contact a Mayline Customer Service Representative. 1-800-822-8037

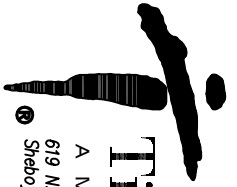
\* Individual Items. Order by part number.

42RNDCAANTBLK  
42RNDCPARBLK  
42RNDCROSBLK  
INSTRUCTION SHEET



ITEMS A-G  
REPLACEMENT  
HARDWARE  
BAG 990823 \*  
MAY HAVE  
EXTRA ITEMS





# Tiffany Industries™

A MAYLINE GROUP COMPANY

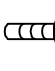






619 N. Commerce, P.O. Box 728  
Sheboygan, WI 53082-0728

On Line: [www.mayline.com](http://www.mayline.com)

When ordering components, specific color and/or size information may be required.  
Contact a Mayline Customer Service Representative. 1-800-822-8037

\* Individual Items, Order by part number.

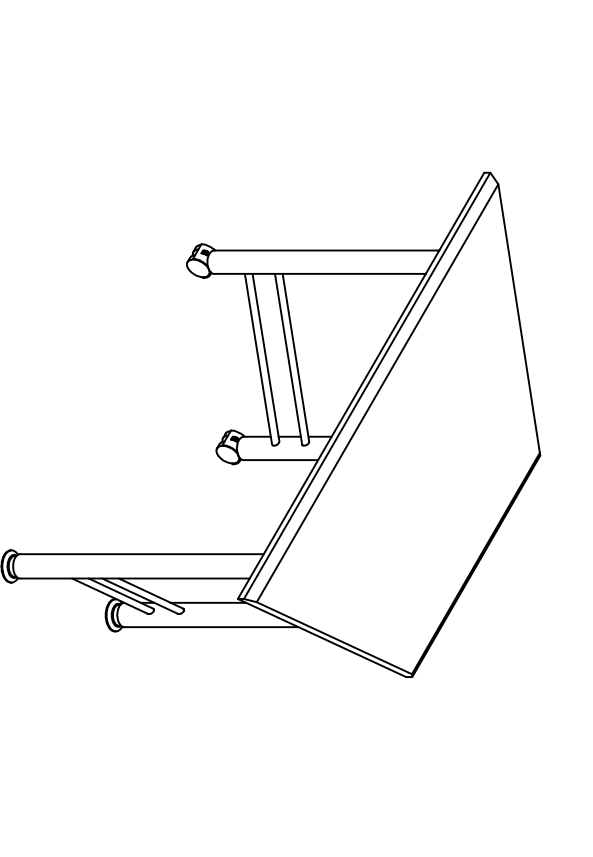
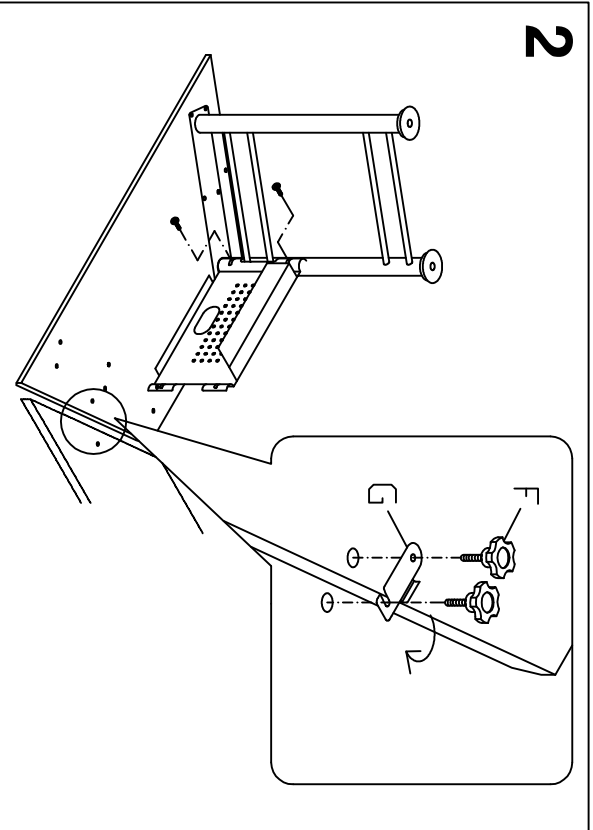
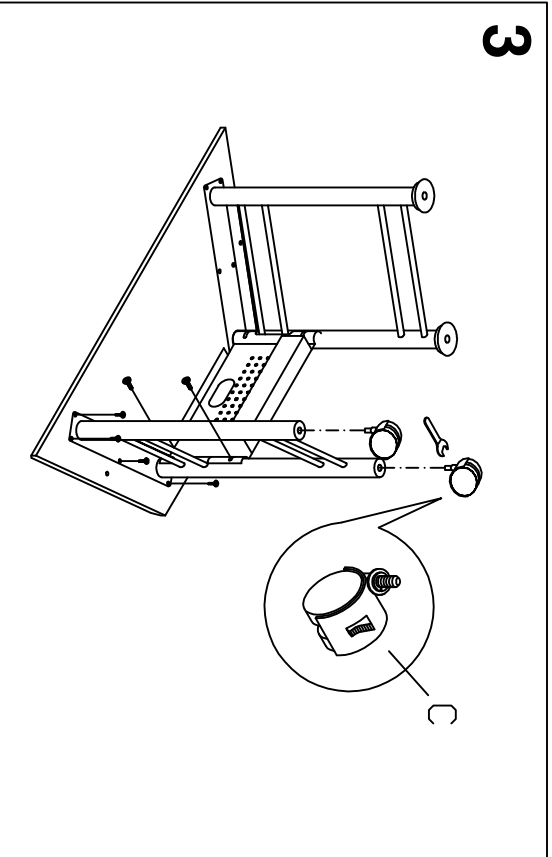
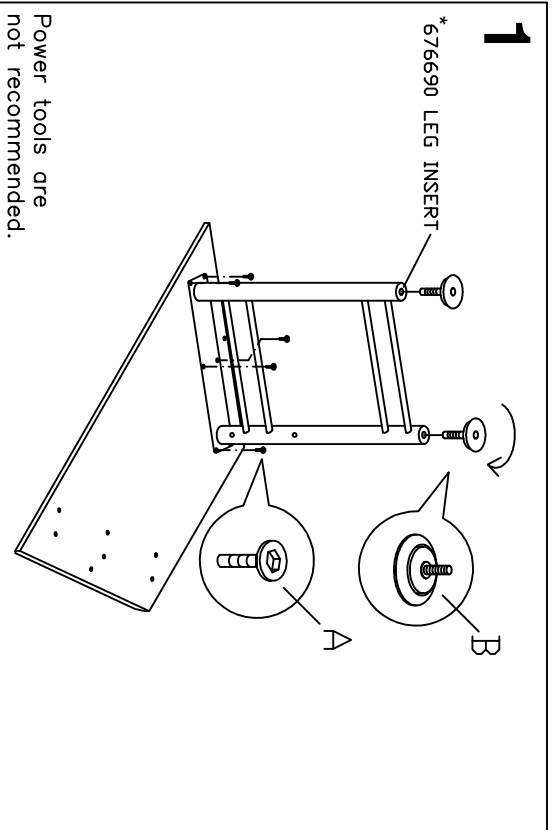
2448TCANTBLK  
2448TCPARBLK  
2448TCROSBLK  
INSTRUCTION SHEET

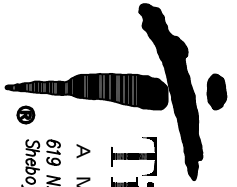
A		x19
B		x2
C		x2
D		x1
E		x1
F		x2
G		x1

490535 \*  
KNDB

904144 \*  
METAL  
BRACKET

ITEMS A-G  
REPLACEMENT  
HARDWARE  
BAG 990823 \*  
MAY HAVE  
EXTRA ITEMS





# Tiffany Industries™

A MAYLINE GROUP COMPANY

619 N. Commerce, P.O. Box 728  
Sheboygan, WI 53082-0728

Toll Free: 1-800-822-8037  
FAX: 920-457-7388  
On Line: [www.mayline.com](http://www.mayline.com)

When ordering components, specific color and/or size information may be required.  
Contact a Mayline Customer Service Representative. 1-800-822-8037

\* Individual Items, Order by part number.

2448CCANTBLK  
2448CCPARBLK  
2448CCROSBLK  
INSTRUCTION SHEET

A		x22
B		x3
C		x2
D		x1
E		x1
F		x2
G		x1
904144* METAL BRACKET ITEMS A-G		
990829* HARDWARE BAG		

