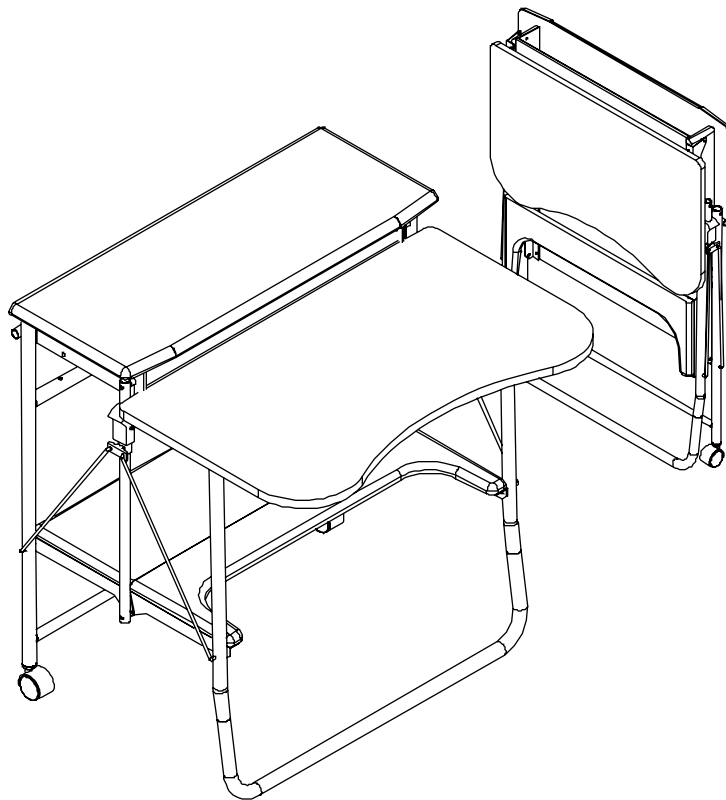




#89811

Fold-N-Go

Portable Computer Workstation



Assembly Instructions

Fold-N-Go Assembly Diagram



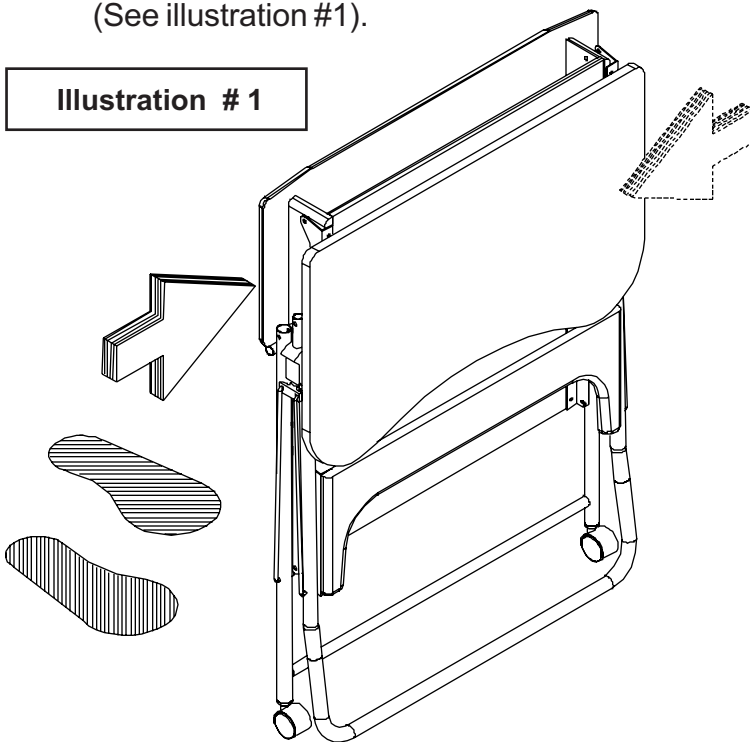
READ THROUGH INSTRUCTIONS FROM BEGINNING TO END BEFORE USING UNIT.

- 1.) Remove Desk assembly from Carton

TO UNFOLD UNIT:

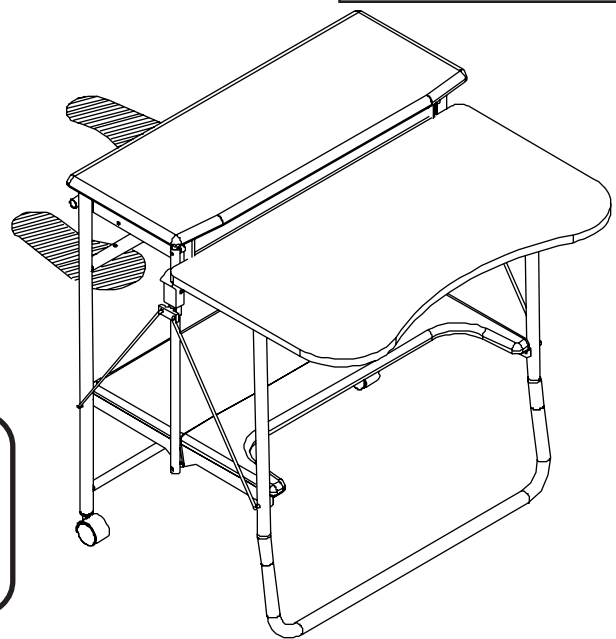
- 2.) Stand behind assembled unit. Place Right hand on the top shelf(right side) as indicated by the arrow. Place Left hand on the keyboard shelf(left side) as indicated by the arrow.
- 3.) Lift up on the front of keyboard shelf(with left hand), and press down on the top shelf(right hand). (See illustration #1).

Illustration # 1



Missing Parts or UPS Damaged Parts
For Your Convenience you can
EMAIL us at
furniture@baltinc.com
24HOURS 7 DAYS A WEEK

Illustration #2



***Should you require assistance during assembly,
please call our Customer Service Department
Monday - Friday 8 a.m. - 5 p.m.
Central Standard Time 1-800-749-2258***

Do not use unless all screws are tight. At least every six months, check all screws to be sure they are tight. If parts are missing, broken, damaged, or worn, stop use of the product until repairs are made by your dealer using factory authorized parts.

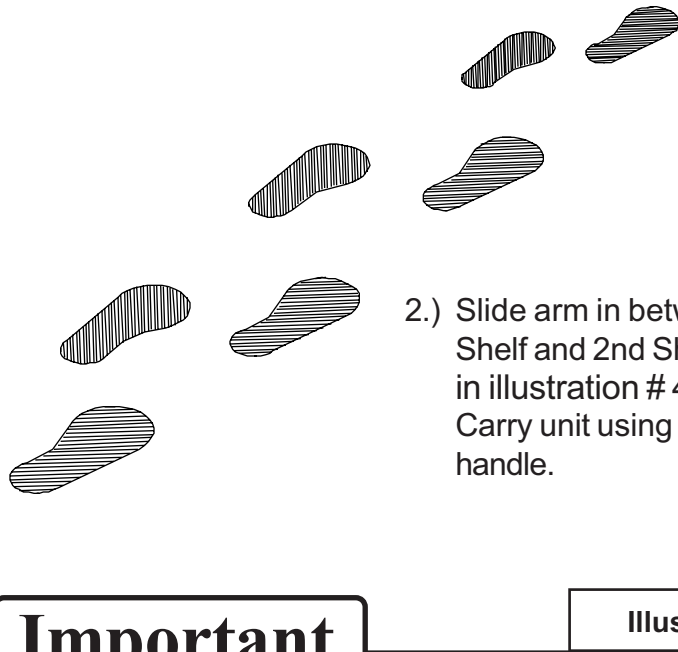
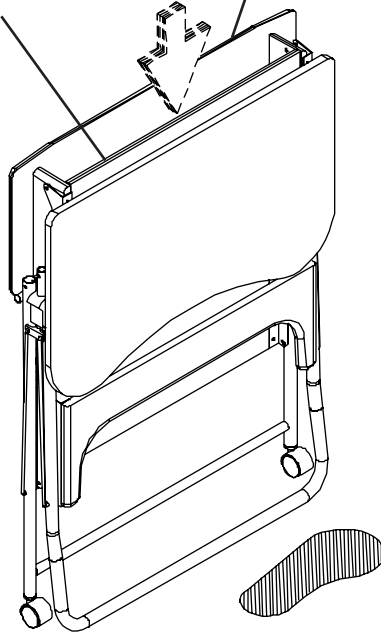
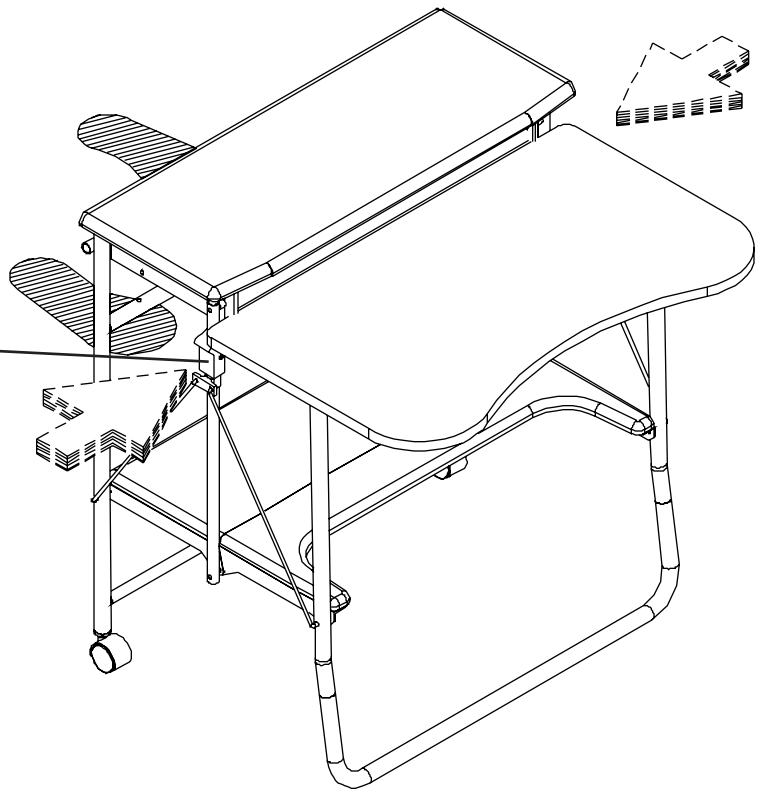
TO FOLD UNIT:

- 1.) Stand behind assembled unit.
Place Right hand and Left hand on the Black plastic buttons located on both sides as indicated by the arrow. Push in and lift on both sides.

Black Plastic Button

Top Shelf

2nd Shelf



- 2.) Slide arm in between Top Shelf and 2nd Shelf as shown in illustration # 4. Carry unit using 2nd shelf as a handle.

Important

The Balt product you have purchased is guaranteed against material and workmanship defects. This guarantee extends 1 year from date of purchase. Should this product fail to function satisfactorily under normal use due to defect or imperfection, the defective part or product will be replaced. Damage caused by common carriers during shipment is not included in this guarantee.

This guarantee sets forth all applicable guarantees and remedies. No other warranty, expressed or implied shall apply. Failure to follow instructions found in Important Information Section of Owner Sheet shall void the guarantee. Consequential or incidental damages and or costs are not refundable.