



INSTALLATION INSTRUCTIONS

FSA-1005

FLAT PANEL DISPLAY SECURITY KIT

Prior to assembly, unpack carton completely and verify contents.

If you are missing any of the following components, please contact Customer Service at 1-800/582-6480

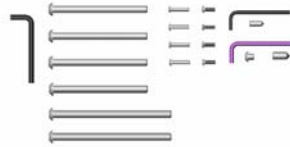


Figure 1

- (2) Security Pivot Bolt, 5"
- (4) Security Pivot Bolt, 4"
- (1) 1/4-20 x .25" Security Screw
- (1) 1/4-20 x .625" Set Screw
- (1) 5/16-18 x .75" Security Set Screw

- (4) M4 x 12mm Security Screw
- (4) M4 x 20mm Security Screw
- (1) 1/8" Hex Key
- (1) 5/32" Security Hex Key
- (1) 3/16" Security Hex Key

BEFORE PROCEEDING, READ INSTALLATION INSTRUCTIONS COMPLETELY

CAUTION! FLAT PANEL DISPLAYS ARE EXTREMELY FRAGILE.

Note: In some installations (i.e. single arm mount) not all fasteners included in this kit will be required.

1. Remove and replace existing fasteners on small flat panel mount (dual arm assembly shown for reference) with tamper-resistant fasteners (see Figure 2).

Note: There are two possible wall plates with different security requirements.

Option I: If your wall plate uses a 1/4-20 setscrew, replace it using the 1/4-20 x .625" setscrew. The existing setscrew in the wall plate is too long to be used in conjunction with the 1/4-20 x .25" security screw.

Option II: If your wall plate uses a 5/16-18 set screw, replace the setscrew with the security version included in this kit.

Note: In some installations (i.e. single arm mount) not all fasteners included in this kit will be required.

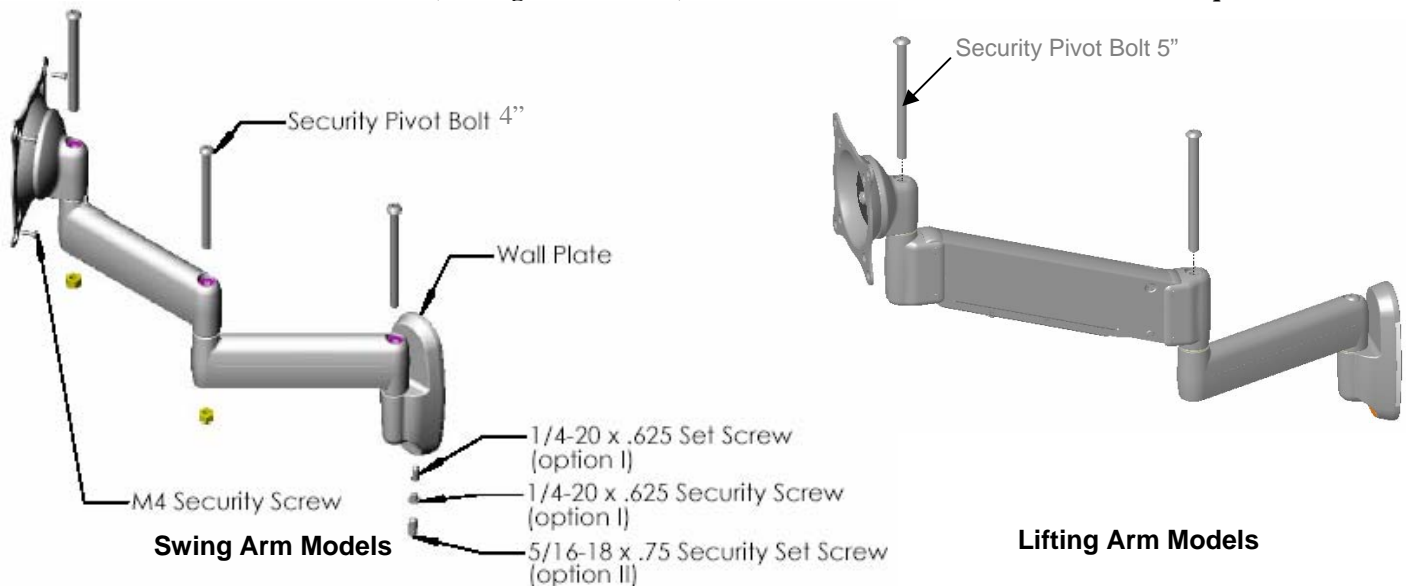


Figure 2