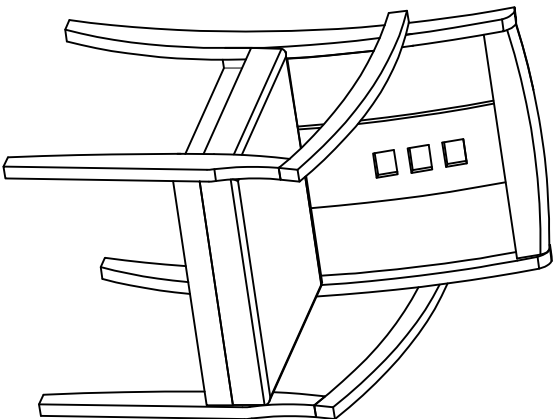


ASSEMBLY INSTRUCTIONS

Mercado Wood Guest Chair

Model No. VSC2A

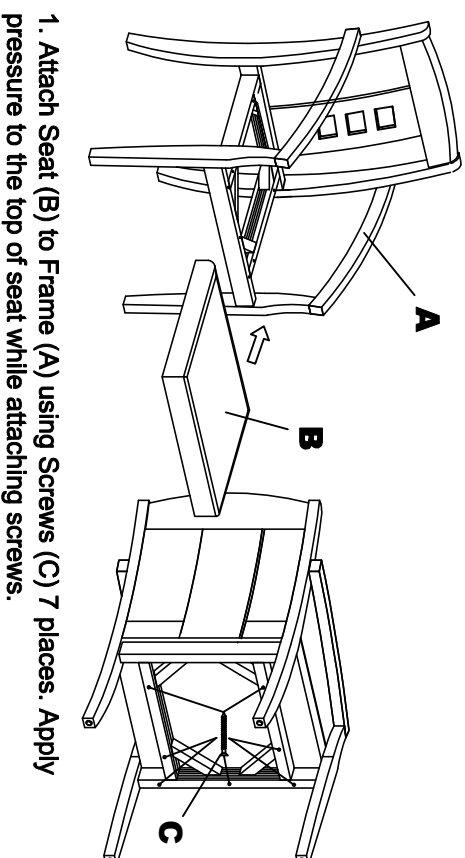


PARTS LIST VSC2A

When ordering components, specific color and/or size information may be required. Contact a Mayline Customer Service Representative: 1-800-822-8037

* Individual Items, Order by part number.
 ** Denotes Color Code.

Reference Letter	Quantity	Part Number	Reference Letter	Quantity	Spare
A*	1	101582** Frame		7	1
B*	1	101572** Seat			
			C		
			Screw M4 x 35mm		



1. Attach Seat (B) to Frame (A) using Screws (C) 7 places. Apply pressure to the top of seat while attaching screws.

1



© Mayline Company, LLC
 619 N. Commerce, P.O. Box 728
 Sheboygan, WI 53082-0728
 Toll Free: 1-800-822-8037
 FAX: 920-457-7388
 On Line: www.mayline.com