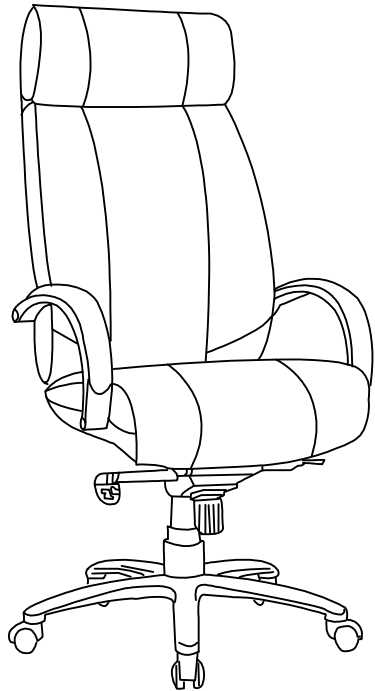


ASSEMBLY INSTRUCTIONS

Mercado Optima High-Back Chair

Model No. OPH



Tiffany IndustriesTM

A MAYLINE GROUP COMPANY

619 N. Commerce, P.O. Box 728 Toll Free: 1-800-822-8037
 Sheboygan, WI 53082-0728 FAX: 920-457-7388
 On Line: www.mayline.com




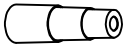



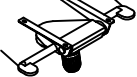





P/N OPH REV 02 7/07

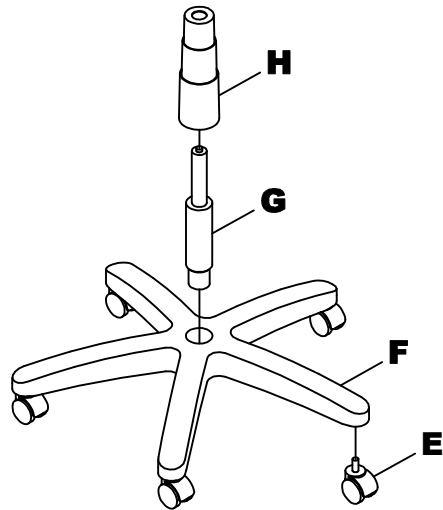
PARTS LIST OPH

When ordering components, specific color and/or size information may be required.
 Contact a Mayline Customer Service Representative. 1-800-822-8037

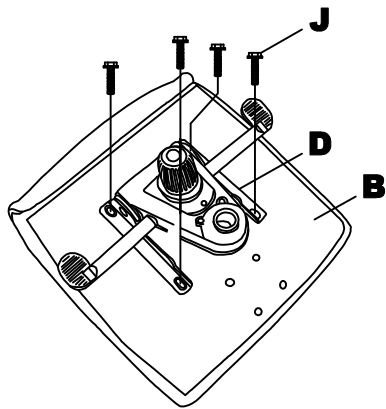
* Individual Items, Order by part number.

** Denotes Color Code.

| | | | | | |
|---|---|----------------------|--------------------------------------|---|----------------------|
| Reference Letter A* |  | Quantity 1 | Reference Letter G* |  | Quantity 1 |
| Part Number 101459** Back | | | Part Number 101401 Cylinder | | |
| Reference Letter B* |  | Quantity 1 | Reference Letter H* |  | Quantity 1 |
| Part Number 101487** Seat | | | Part Number 101406 Cylinder Cover | | |
| Reference Letter C* | 101422 Arm Pad Black 101423 Arm Pad Burgundy | Quantity 2 | Part Number 101415* Hardware Bag | | |
|  | | | Reference Letter J |  | Quantity 8 |
| Part Number 101451 Arms (pair) | | | Screw 1/4-20 x 1" | | Spare 1 |
| Reference Letter D* | 101426 Tilt Lever 101425 Height Lever | Quantity 1 | Reference Letter K |  | Quantity 4 |
|  | | | Screw 5/16-18 x 2" | | Spare 1 |
| Part Number 101402 Mechanism | | | Reference Letter L* |  | Quantity 4 |
| Reference Letter E* |  | Quantity 5 | 101452 Arm Plug | | Spare 1 |
| Part Number 101400 Caster (5 per pack) | | | Reference Letter M |  | Quantity 1 |
| Reference Letter F* |  | Quantity 1 | Allen Wrench | | Spare 1 |
| Part Number 101412 Base | | | Reference Letter N |  | Quantity 1 |
| | | | Allen Wrench | | Spare 1 |

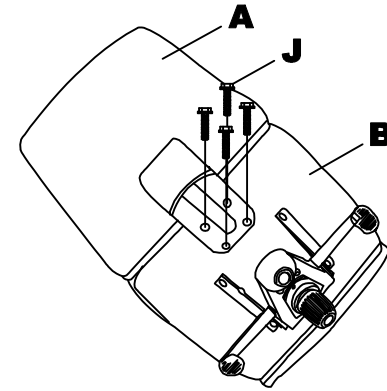


1. Place Base (F) upside down and push Casters (E) firmly into base. 5 places.
2. Turn Base right side up and insert Cylinder (G) into center hole of Base.
3. Place Cylinder Cover (H) over Cylinder.

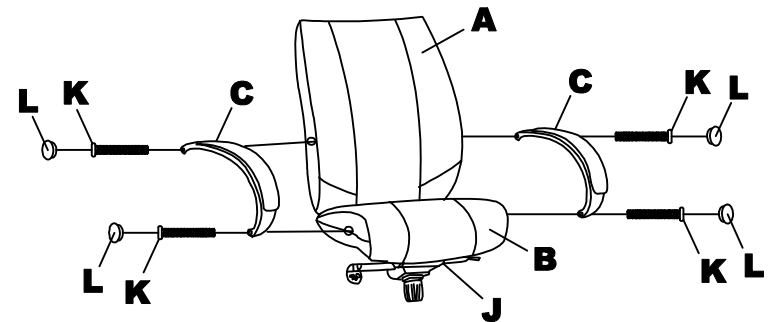


4. Assemble Mechanism (D) onto Seat (B) using Screws (J) 4 places.

2

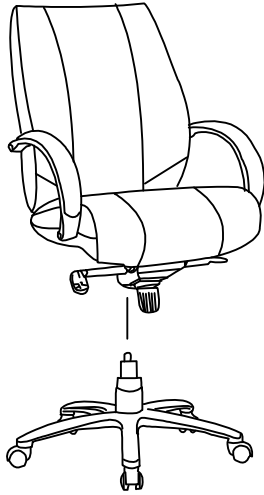


5. Assemble Back (A) onto Seat (B) using Screws (J) 4 places. **DO NOT TIGHTEN SCREWS** at this time. This will allow a tolerance when assembling arms.



6. Assemble Arm (C) 2 places onto Back (A) & Seat (B) using Screws (K) 4 places. **DO NOT TIGHTEN SCREWS** at this time.
7. After both arms are installed tighten all Screws (K) 4 places, Screws (J) 4 places.
8. Insert Arm Plug (L) into Arm (C) 4 places.

3



8. Carefully place chair assembly onto base assembly.

NOTE:

Periodically (Every 90 days) make sure screws are fully tightened.

OPERATING INSTRUCTIONS FOR DELUXE KNEE-TILT MECHANISM

1. Seat Height Adjustment.

To raise the seat, pull lever upward and raise your body up slightly to allow the chair to rise to the desired height.

To lower the seat, pull lever upward and apply weight downward on the seat.

2. Seat Tilt Adjustment Lock

Pull lever upward and allow the chair to tilt backwards.

To lock to the desired position push lever downward.

To release tilt adjustment, pull lever upward, apply weight onto the back cushion and then lean forward.

3. Tilt Tension Control Knob.

Turn knob clockwise to increase tilt tension.

Turn knob counter-clockwise to decrease tilt tension.

