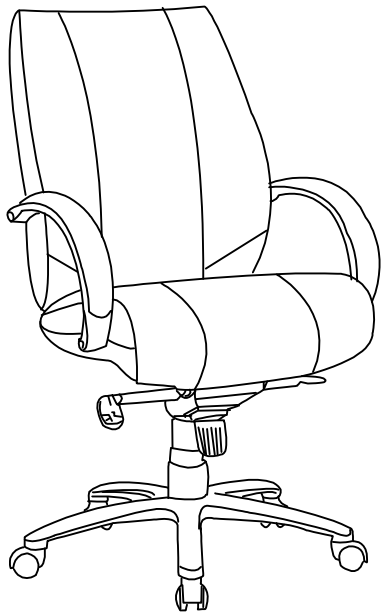


# ASSEMBLY INSTRUCTIONS

## Mercado Optima Mid-Back Chair

### Model No. OPM



**Tiffany Industries™**  
A MAYLINE GROUP COMPANY

619 N. Commerce, P.O. Box 728 Toll Free: 1-800-822-8037  
Sheboygan, WI 53082-0728 FAX: 920-457-7388  
On Line: [www.mayline.com](http://www.mayline.com)

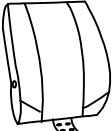





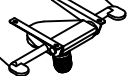






P/N OPM REV 02 7/07

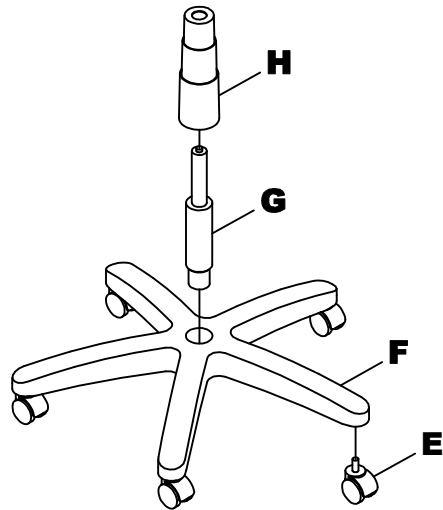
## PARTS LIST OPM

When ordering components, specific color and/or size information may be required.  
Contact a Mayline Customer Service Representative. 1-800-822-8037

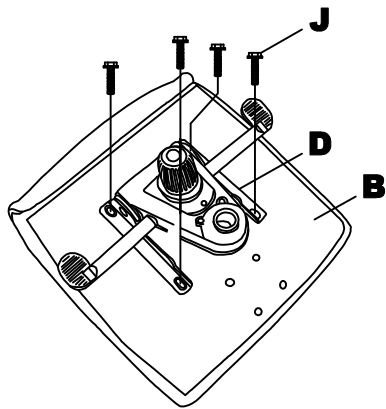
\* Individual Items, Order by part number.

\*\* Denotes Color Code.

Reference Letter <b>A*</b>		Quantity <b>1</b>	Reference Letter <b>G*</b>		Quantity <b>1</b>
Part Number 101449** Back			Part Number 101401 Cylinder		
Reference Letter <b>B*</b>		Quantity <b>1</b>	Reference Letter <b>H*</b>		Quantity <b>1</b>
Part Number 101488** Seat			Part Number 101406 Cylinder Cover		
Reference Letter <b>C*</b>	101422 Arm Pad Black 101423 Arm Pad Burgundy 	Quantity <b>2</b>	Part Number 101415* Hardware Bag		
Part Number 101451 Arms (pair)			Reference Letter <b>J</b>		Quantity <b>8</b> Spare <b>1</b>
Reference Letter <b>D*</b>	101426 Tilt Lever 101425 Height Lever 	Quantity <b>1</b>	Screw 1/4-20 x 1"		
Part Number 101402 Mechanism			Reference Letter <b>K</b>		Quantity <b>4</b> Spare <b>1</b>
Reference Letter <b>E*</b>		Quantity <b>5</b>	Screw 5/16-18 x 2"		
Part Number 101400 Caster (5 per pack)			Reference Letter <b>L*</b>		Quantity <b>4</b> Spare <b>1</b>
Reference Letter <b>F*</b>		Quantity <b>1</b>	Part Number 101452 Arm Plug		
Part Number 101412 Base			Reference Letter <b>M</b>		Quantity <b>1</b> Spare <b>1</b>
			Allen Wrench		
			Reference Letter <b>N</b>		Quantity <b>1</b> Spare <b>1</b>
			Allen Wrench		
					Quantity <b>1</b>

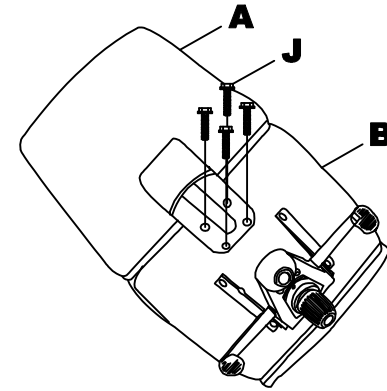


1. Place Base (F) upside down and push Casters (E) firmly into base. 5 places.
2. Turn Base right side up and insert Cylinder (G) into center hole of Base.
3. Place Cylinder Cover (H) over Cylinder.

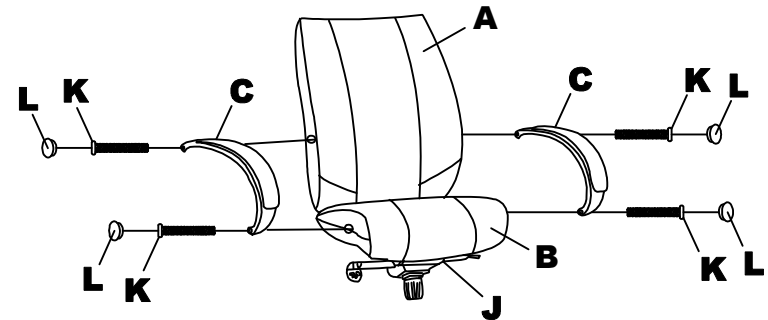


4. Assemble Mechanism (D) onto Seat (B) using Screws (J) 4 places.

**2**

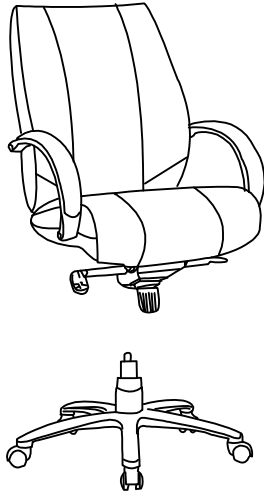


5. Assemble Back (A) onto Seat (B) using Screws (J) 4 places. DO NOT TIGHTEN SCREWS at this time. This will allow a tolerance when assembling arms.



6. Assemble Arm (C) 2 places onto Back (A) & Seat (B) using Screws (K) 4 places. DO NOT TIGHTEN SCREWS at this time.
7. After both arms are installed tighten all Screws (K) 4 places, Screws (J) 4 places.
8. Insert Arm Plug (L) into Arm (C) 4 places.

**3**



8. Carefully place chair assembly onto base assembly.

**NOTE:**

Periodically (Every 90 days) make sure screws are fully tightened.

**OPERATING INSTRUCTIONS FOR DELUXE KNEE-TILT MECHANISM**

**1. Seat Height Adjustment.**

To raise the seat, pull lever upward and raise your body up slightly to allow the chair to rise to the desired height.

To lower the seat, pull lever upward and apply weight downward on the seat.

**2. Seat Tilt Adjustment Lock**

Pull lever upward and allow the chair to tilt backwards.

To lock to the desired position push lever downward.

To release tilt adjustment, pull lever upward, apply weight onto the back cushion and then lean forward.

**3. Tilt Tension Control Knob.**

Turn knob clockwise to increase tilt tension.

Turn knob counter-clockwise to decrease tilt tension.

