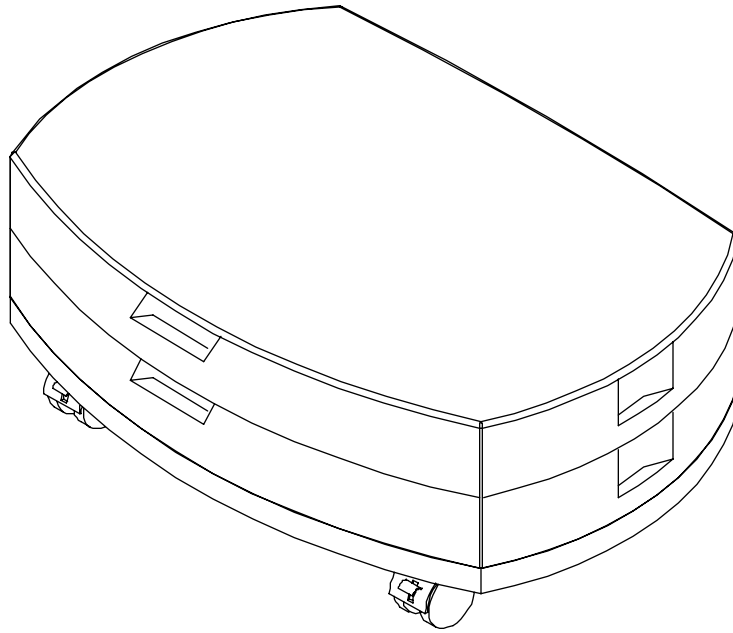




BLT-66557

Monitor/Printer Stand on Wheels

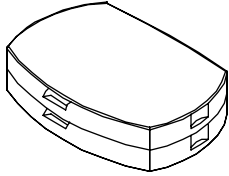

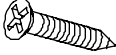
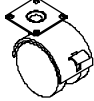
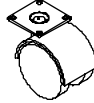
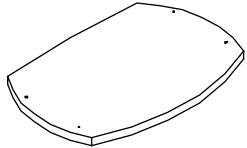


Assembly Instructions



BLT-66557

Monitor/Printer Stand on Wheels

Part	Drawing	Description	Qty	Part	Drawing	Description	Qty
P1		Plastic Drawer Set	1 EA	<div style="border: 1px solid black; padding: 5px;"> <p style="text-align: center;">Hardware List</p> <p>A  #6 x 1/2" Wood Screw 16 EA</p> <p>B  #6 X 1/4" Wood Screw 4 EA</p> <p>C  1 1/2" Locking Plate Caster 2 EA</p> <p>D  1 1/2" Plate Caster 2 EA</p> </div>			
P2		Caster Base	1 EA				

Assembly Diagram



READ THROUGH INSTRUCTIONS FROM BEGINNING TO END BEFORE STARTING TO ASSEMBLE UNIT.

1.) Identify and Separate all the Parts and Hardware.

2.) Attach 2 Locking Plate Casters (C) to the front of Caster Base (P-2), and 2 Plate Casters (D) to the back of Caster Base (P-2) using 16 screws (A) as shown in illustration #1.

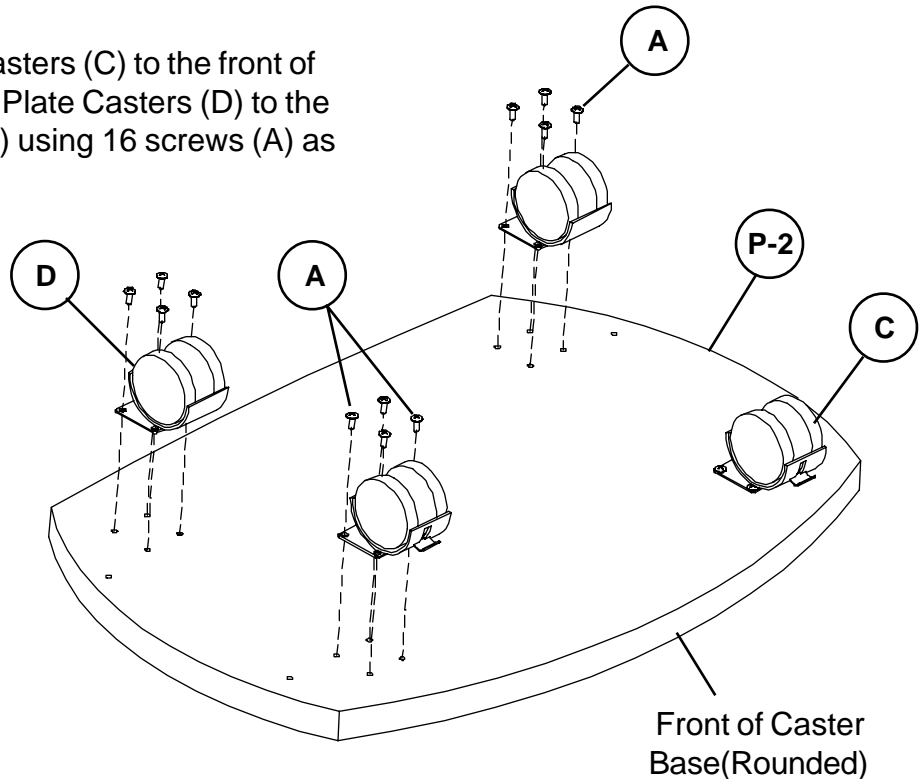
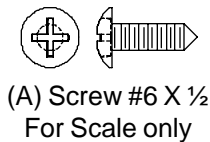


Illustration #1

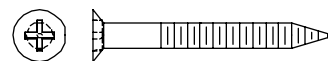
Do not use unless all screws are tight. At least every six months, check all screws to be sure they are tight. If parts are missing, broken, damaged, or worn, stop use of the product until repairs are made by your dealer using factory authorized parts.

Missing Parts or UPS Damaged Parts

For Your Convenience you can
EMAIL us at
furniture@baltinc.com
24HOURS 7 DAYS A WEEK

*Should you require assistance during assembly,
please call our Customer Service Department
Monday - Friday 8 a.m. - 5 p.m.
Central Standard Time 1-800-749-2258*

- 3.) Attach Plastic Drawer Set(P-1) to the
Caster Base (P-2) using 4 each Screws
(A1) as shown in illustration #2.



(B) Screw #6 X 1¼"
For Scale only

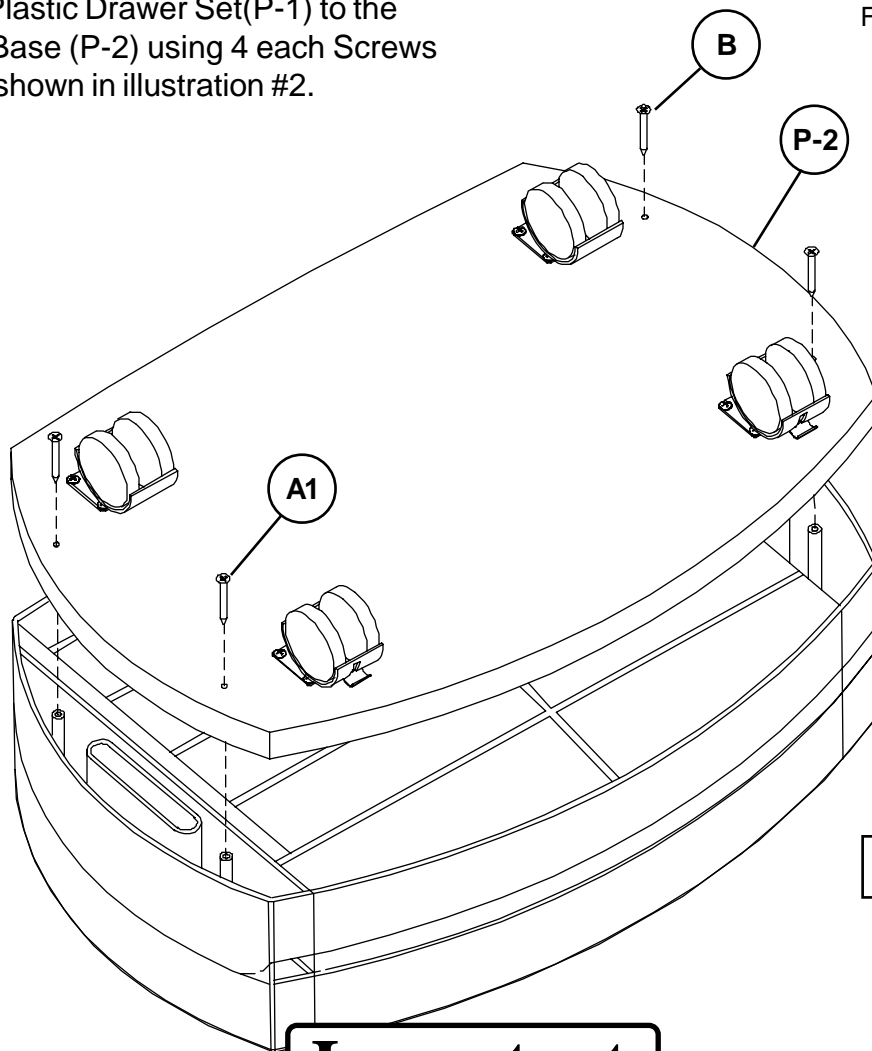


Illustration #2



Important

The Balt product you have purchased is guaranteed against material and workmanship defects. This guarantee extends 1 year from date of purchase. Should this product fail to function satisfactorily under normal use due to defect or imperfection, the defective part or product will be replaced. Damage caused by common carriers during shipment is not included in this guarantee.

This guarantee sets forth all applicable guarantees and remedies. No other warranty, expressed or implied shall apply. Failure to follow instructions found in Important Information Section of Owner Sheet shall void the guarantee. Consequential or incidental damages and or costs are not refundable.