

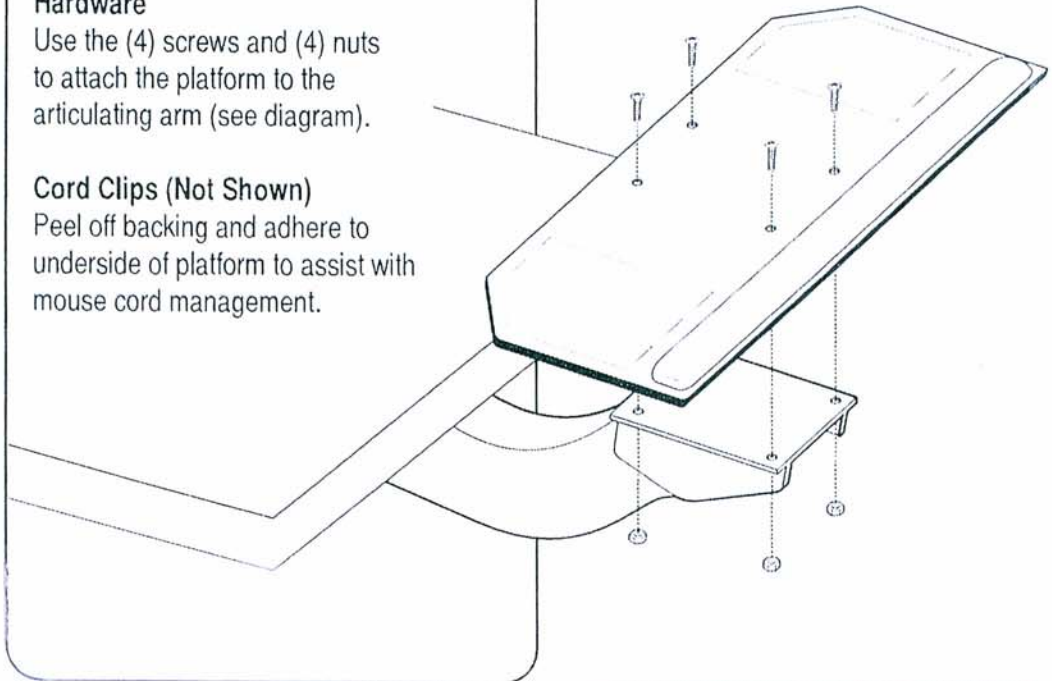
INSTALLATION

Hardware

Use the (4) screws and (4) nuts to attach the platform to the articulating arm (see diagram).

Cord Clips (Not Shown)

Peel off backing and adhere to underside of platform to assist with mouse cord management.



**HARDWARE
DO NOT DISCARD**

Keyboard Platform Installation Instructions

Included Hardware for:

P-Series

1/4" Platform Material



4 Nuts
#8 - 32



4 Screws
#8 - 32 x 1/2 in

V-Series

1/2" Platform Material



4 Nuts
#8 - 32



4 Screws
#8 - 32 x 3/4 in

Customer Service: 877.971.0151
Fax: 704.543.7655
Web site: www.ErgoStoreOnline.com
Email: info@ergostoreonline.com

Ergostore ONLINE

Ergostore ONLINE

www.ergostoreonline.com