

# ASSEMBLY INSTRUCTIONS

## T-MATE TABLES

**NOTE:** Please count and inspect all pieces before disposing of any carton or packing materials.

When ordering components, specific color and/or size information may be required.  
Contact a Mayline Customer Service Representative. 1-800-822-8037

\*\* Denotes Color Code

~~ Denotes Size

\* Individual Items, Order by part number.

### STARTER COMPONENTS

MODEL NO. (PRS4824, PRS4830, PTS6024, PTS6030, PCS6724, PCS6730, PHS4824, PHS6030, PRND48)

REF#	QTY.	DESCRIPTION	PART NO.
1	1	Top	CALL ~**
2	2	Leg Assembly	CALL ~**

HARDWARE BAG (Part No. 610248) Qty. 2 \*

REF#	QTY.	EXTRA	DESCRIPTION	PART NO.
E1	8	2	Screw, 1/4-20 x 3/4	700124

MODEL NO. (PRS6024, PRS7224)

REF#	QTY.	DESCRIPTION	PART NO.
1	1	Top	CALL ~**
2	2	Leg Assembly	CALL ~**
3A	1	Stiffener	CALL ~**

HARDWARE BAG (Part No. A7738) \*

REF#	QTY.	EXTRA	DESCRIPTION	PART NO.
E1	12	0	Screw, 1/4-20 x 3/4	700124
E2	20	10	Screw, #12-8 x 3/4	710232

MODEL NO. (PRS6030, PRS7230)

REF#	QTY.	DESCRIPTION	PART NO.
1	1	Top	CALL ~**
2	2	Leg Assembly	CALL ~**
3B	2	Stiffener	CALL ~**

HARDWARE BAG (Part No. A7738) \*

REF#	QTY.	EXTRA	DESCRIPTION	PART NO.
E1	12	0	Screw, 1/4-20 x 3/4	700124
E2	20	0	Screw, #12-8 x 3/4	710232

### ADDER COMPONENTS

MODEL NO. (PRA4824, PRA4830, PTA6024, PTA6030, PCA6724, PCA6730)

REF#	QTY.	DESCRIPTION	PART NO.
1	1	Top	CALL ~**
2	2	Leg Assembly	CALL ~**

HARDWARE BAG (Part No. 610248) \*

REF#	QTY.	EXTRA	DESCRIPTION	PART NO.
E1	8	2	Screw, 1/4-20 x 3/4	700124

MODEL NO. (PRA6024, PRA7224)

REF#	QTY.	DESCRIPTION	PART NO.
1	1	Top	CALL ~**
2	2	Leg Assembly	CALL ~**
3A	1	Stiffener	CALL ~**

HARDWARE BAG (Part No. A7738) \*

REF#	QTY.	EXTRA	DESCRIPTION	PART NO.
E1	12	6	Screw, 1/4-20 x 3/4	700124
E2	20	10	Screw, #12-8 x 3/4	710232

MODEL NO. (PRA6030, PRA7230)

REF#	QTY.	DESCRIPTION	PART NO.
1	1	Top	CALL ~**
2	2	Leg Assembly	CALL ~**
3B	2	Stiffener	CALL ~**

HARDWARE BAG (Part No. A7738) \*

REF#	QTY.	EXTRA	DESCRIPTION	PART NO.
E1	12	0	Screw, 1/4-20 x 3/4	700124
E2	20	0	Screw, #12-8 x 3/4	710232

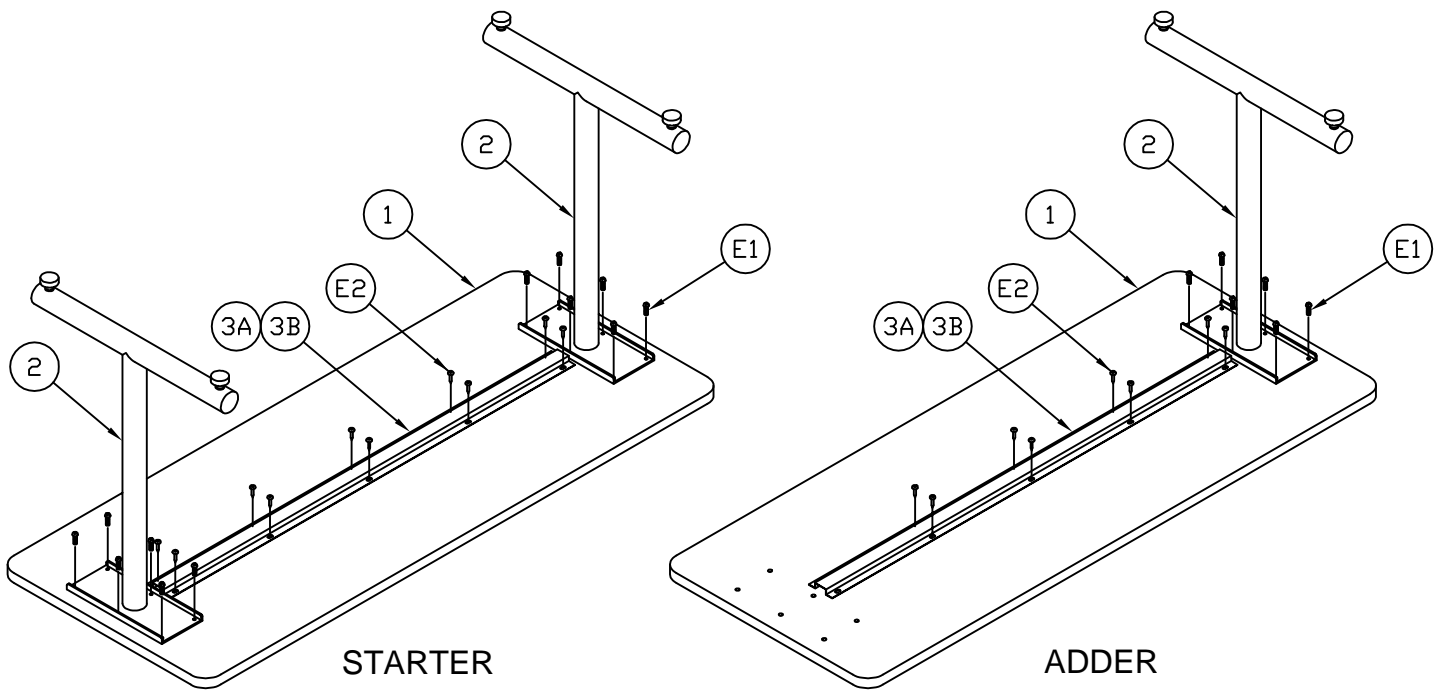


**Tiffany Industries**™

A MAYLINE GROUP COMPANY

619 N. Commerce, P.O. Box 728 Toll Free: 1-800-822-8037  
Sheboygan, WI 53082-0728 FAX: 920-457-7388

On Line: [www.mayline.com](http://www.mayline.com)



Stand Alone Assembly

1. Begin Assembly by determining if the table will be a stand alone unit or if there will be other tables attached. If stand alone unit is chosen see step 2. If Starter/Adder Assembly is chosen see Step 4.

2. Place Top (1) face down on a clean flat surface. Attach Legs (2) onto Top using six Screws (E1) per Leg. See Fig. #1

3. Attach Stiffener (3A) or Stiffeners (3B) using Screws (E2) in the approximate position as shown in Fig. #2. NOTE: Stiffeners are included on the 24" x 60"-72" & 30" x 60"-72" Rectangle.

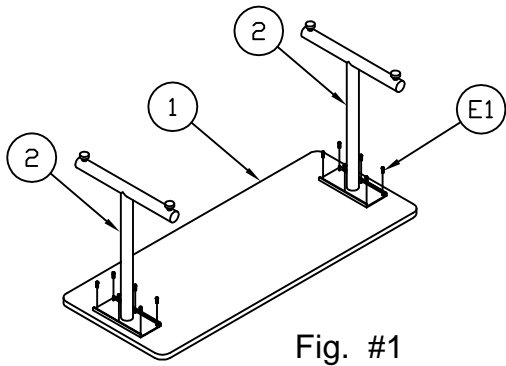


Fig. #1

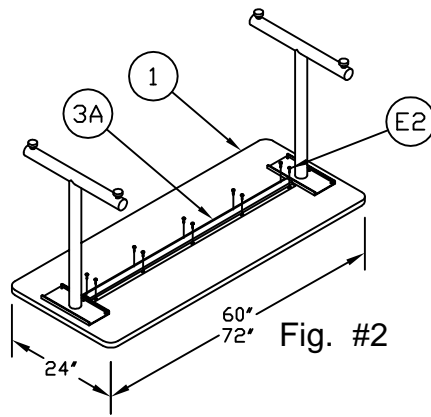
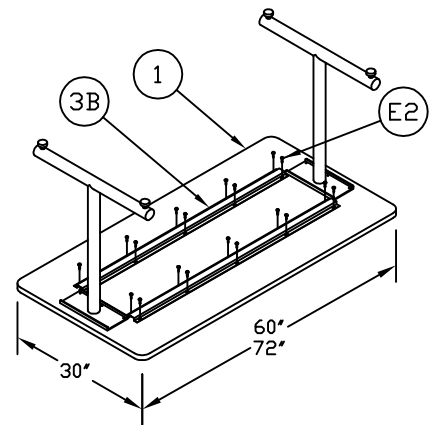


Fig. #2

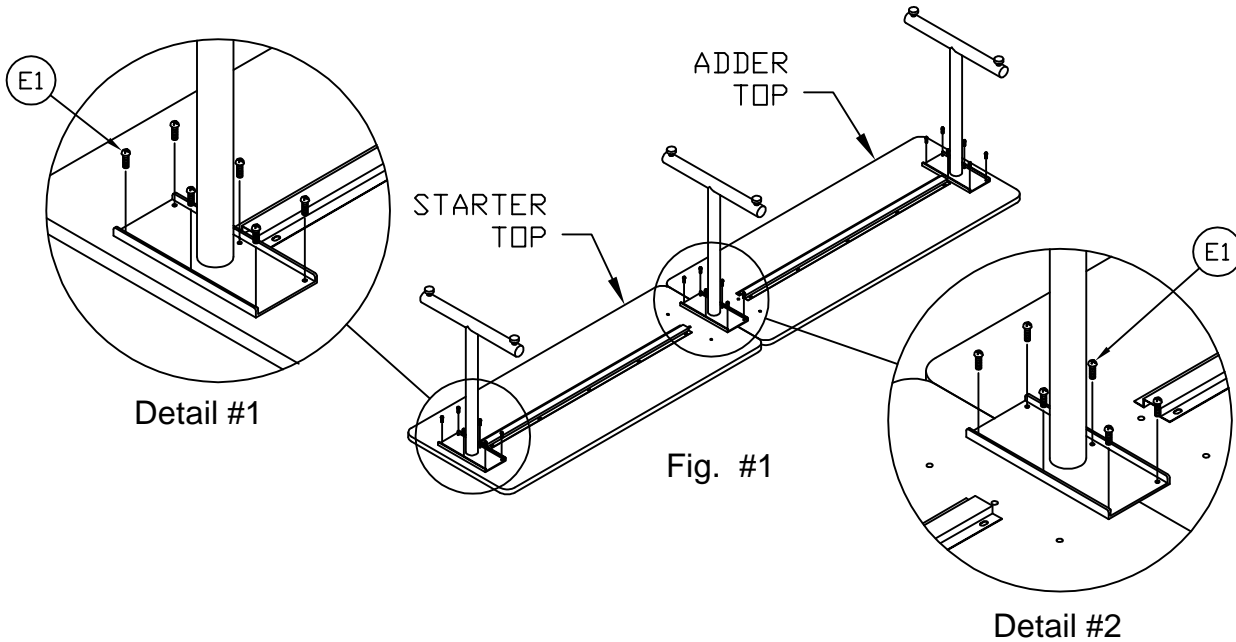


Starter/Adder Assembly

4. Place Tops (1) face down on a clean flat surface end to end. Attach Leg (2) onto Starter Top using six Screws (E1). See Fig. #1, Detail #1.

5. Attach Leg (2) onto Adder Top using three Screws (E2) for each top. See Fig #3 Detail #2

6. Attach Stiffener (3A) or Stiffeners (3B) using Screws (E2) in the approximate position as shown in Fig. #2.  
NOTE: Stiffeners are included on the 24" x 60"-72" & 30" x 60"-72" Rectangular.



**WARNING**

Levelers are to accommodate uneven floors. However, tables with Levelers MUST NOT be pushed, pulled or anyway slid along the floor. ALWAYS REMOVE any items on the table and LIFT the table off the floor while moving.

WARRANTY PARTS IDENTIFICATION NOT INCLUDED IN ASSEMBLY

<u>REF#</u>	<u>QTY.</u>	<u>DESCRIPTION</u>	<u>PART NO.</u>
4	2 per leg	Leveler	428700 *
5	2 per leg	Leg Cap	676650 *

